



| | |
|----|--------|
| MX | MEXICO |
|----|--------|

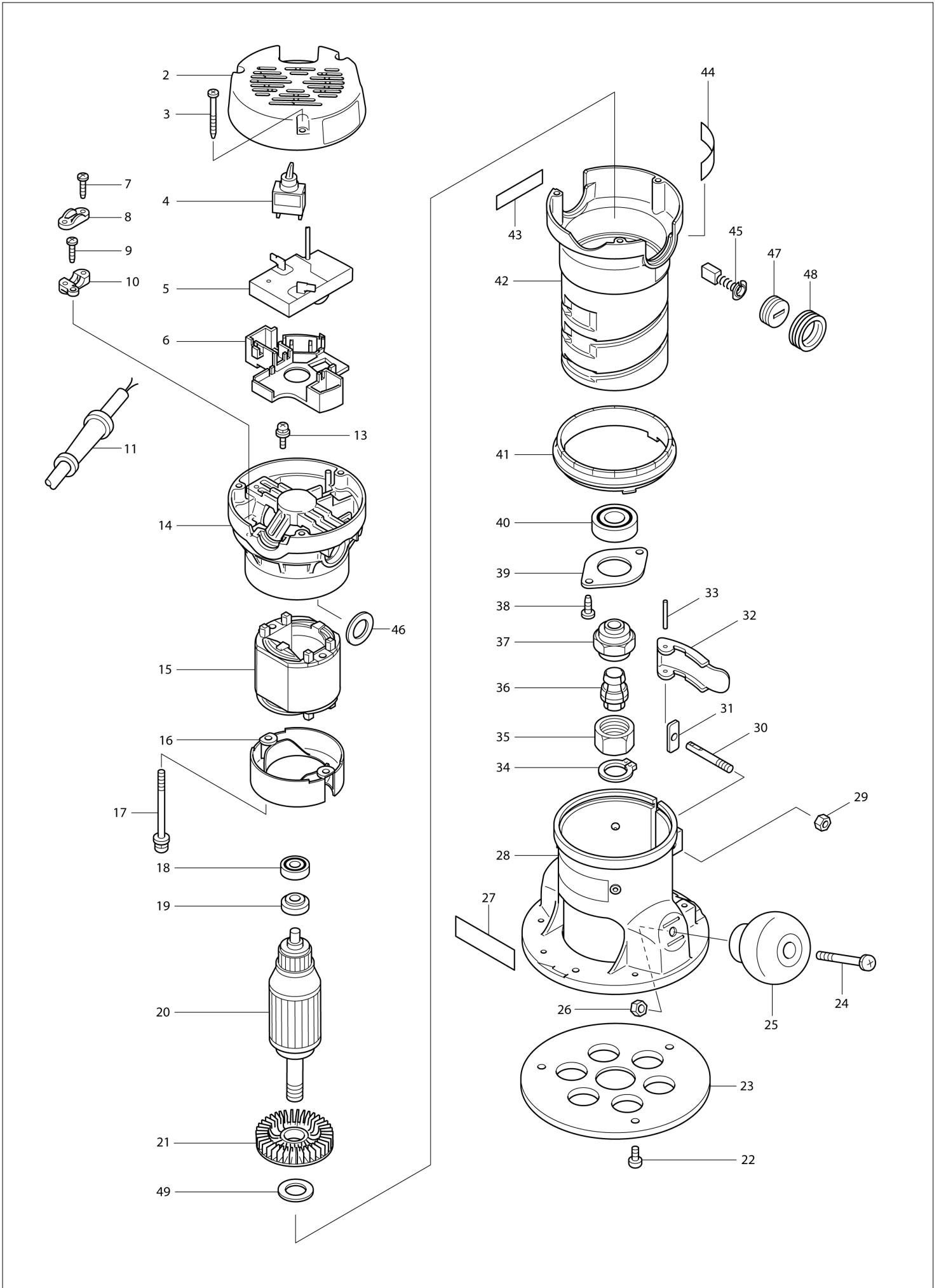
Diagram / Parts List

RF1100

ROUTER 12MM



(MX) RF1100 / ROUTER 12MM



MX

MEXICO

RF1100 / ROUTER 12MM

| Item | Sub | Parts No. | Parts Description | Qty | I/C | E/C No. | Close No. | Remark |
|-------|-----|-----------|--------------------------------|-----|-----|---------|-----------|--------|
| 002 | | 417139-6 | REAR COVER | 1 | | | | |
| 003 | | 266203-8 | TAPPING SCREW BIND CT 4X40 | 3 | | | | |
| 004 | | 651423-1 | SWITCH | 1 | | | DB412 | |
| 004-1 | | 651423-1 | SWITCH | 1 | O | DB412 | | |
| 005 | | 631398-0 | CONTROLLER | 1 | | | | |
| 006 | | 417143-5 | CONTROLLER HOLDER | 1 | | | | |
| 007 | | 265995-6 | TAPPING SCREW 4X18 | 2 | | | C7193 | |
| 007-1 | | 265A48-7 | TAPPING SCREW 4X18 | 2 | O | C7193 | | |
| 008 | | 687052-4 | STRAIN RELIEF | 1 | | | | |
| 009 | | 266034-5 | TAPPING SCREW CT 4X16 | 1 | | | | |
| 010 | | 687100-9 | STRAIN RELIEF | 1 | | | | |
| 011 | | 565056-5 | POWER SUPPLY CORD AWG#16-3-2.5 | 1 | | | | |
| | C10 | 654110-1 | INSULATED RECEPTACLE | 1 | | | | |
| | C20 | 654113-5 | TERMINAL 34108 | 1 | | | | |
| | C30 | 654117-7 | INSULATING TERMINAL | 1 | | | | |
| | C40 | 682505-8 | CORD GUARD 10-90 | 1 | | | | |
| 013 | | 652014-1 | PAN HEAD SCREW M4X8 | 1 | | | | |
| 014 | | 151879-3 | MOTOR REAR HOUSING COMPLETE | 1 | | | | |
| | C10 | 643708-9 | BRUSH HOLDER 5-11 | 2 | | | | |
| 015 | | 594356-6 | FIELD ASS'Y 115V | 1 | | | | |
| | C10 | 654069-2 | RECEPTACLE | 1 | | | | |
| | C20 | 654020-2 | RING TERMINAL | 2 | | | | |
| | C30 | 654501-6 | CONNECTOR P-1.25 | 2 | | | | |
| 016 | | 417136-2 | BAFFLE PLATE | 1 | | | | |
| 017 | | 911686-4 | PAN HEAD SCREW M5X65 | 2 | | | | |
| 018 | | 210005-4 | BALL BEARING 608DDW | 1 | | | | |
| 019 | | 681650-6 | INSULATION WASHER | 1 | | | | |
| 020 | | 516406-7 | ARMATURE ASS'Y 115V | 1 | | | 63681 | |
| | D10 | | INC. 18,19,21 | | | | 63681 | |
| 020-1 | | 518633-2 | ARMATURE ASS'Y 115V | 1 | X | 63681 | | |
| | D10 | | INC. 18,19,21 | | | 63681 | | |
| 021 | | 240031-9 | FAN 60 | 1 | | | | |
| 022 | | 265081-3 | + P.H.SCREW W3/16-24X10 | 3 | | | | |
| 023 | | 417138-8 | BASE PLATE | 1 | | | | |
| 024 | | 911378-5 | PAN HEAD SCREW M6X55 | 2 | | | | |
| 025 | | 271313-8 | KNOB 55 | 2 | | | | |
| 026 | | 931301-4 | HEX. NUT M6 | 2 | | | | |
| 027A | | 812987-2 | INDICATION LABEL | 1 | | | | |
| 028 | | 151880-8 | ROUTER BASE COMPLETE | 1 | | | | |
| 029 | | 252014-7 | HEX. LOCK NUT M6-10 | 1 | | | | |
| 030 | | 323968-6 | SUPPORT PIN | 1 | | | | |
| 031 | | 344852-2 | PLATE | 1 | | | | |
| 032 | | 344851-4 | LOCK LEVER | 1 | | | | |
| 033 | | 268063-4 | PIN 4 | 1 | | | | |
| 034 | | 961056-7 | RETAINING RING S-16 | 1 | | | | |
| 035 | | 763642-8 | COLLET NUT | 1 | | | | |
| 036 | | 763643-6 | COLLET CONE 12.7 | 1 | | | | |
| 037 | | 763641-0 | COLLET BODY | 1 | | | | |
| 038 | | 266035-3 | TAPPING SCREW BIND CT 5X12 | 2 | | | | |
| 039 | | 285689-7 | BEARING RETAINER 55 | 1 | | | | |
| 040 | | 211228-7 | BALL BEARING 6202DDW | 1 | | | | |
| 041 | | 417137-0 | SCALE RING | 1 | | | | |
| 042 | | 317319-3 | MOTOR HOUSING | 1 | | | | |
| 043B | | 817363-5 | CAUTION LABEL | 1 | | | | |
| 044 | | 852510-1 | NAME PLATE RF1100 | 1 | | | | |
| 045 | | 191963-2 | CARBON BRUSH CB-303 | 1 | | | 85070 | |
| 045-1 | | 194996-6 | CARBON BRUSH SET CB-303 | 1 | < | 85070 | | |
| 046 | | 681009-7 | WASHER | 2 | | | | |
| 047 | | 643750-0 | BRUSH HOLDER CAP 7-11 | 2 | | | | |
| 048 | | 681655-6 | HOLDER RING | 2 | | | | |
| 049 | | 253853-8 | FLAT WASHER 15 | 1 | | | | |
| A01 | | 781031-5 | WRENCH 27 | 2 | | | | |
| A02 | | 193214-9 | COLLET CONE 6.35 | 1 | | | | |
| A03 | | 193379-7 | DUST NOZZLE | 1 | | DC899 | | |

Interchange
O : Yes
X : No
< : the new part can be substituted for the current.
> : the current part can be substituted for the new.
S : Interchangeable as a set.