



MX

MEXICO

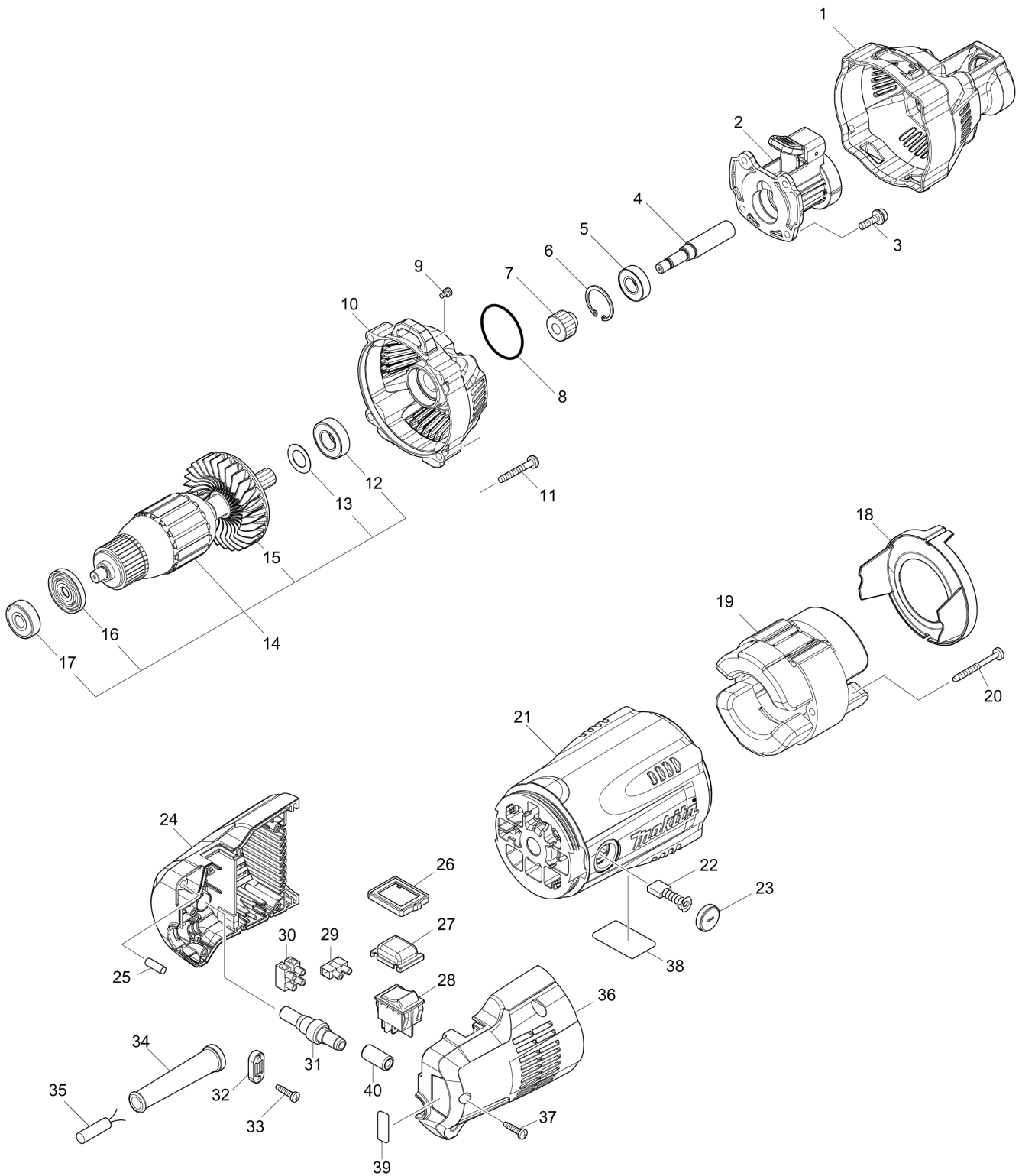
Diagram / Parts List

VR1000

CONCRETE VIBRATOR



(MX) VR1000 / CONCRETE VIBRATOR



VR1000 / CONCRETE VIBRATOR

Item	Sub	Parts No.	Parts Description	Qty	I/C	E/C No.	Close No.	Remark
001		422200-6	RUBBER COVER	1				
002		144699-2	HOSE HOLDER COMPLETE	1				
003		911233-1	PAN HEAD SCREW M5X20	4				
004		327014-7	SPINDLE	1				
005		210163-6	BALL BEARING 6001DDW	1				
006		962116-8	RETAINING RING R-28	1				
007		221568-5	HELICAL GEAR 19	1				
008		213561-3	O RING 42	1				
009		652014-1	PAN HEAD SCREW M4X8	1				
010		144698-4	GEAR HOUSING COMPLETE	1				
011		266012-5	TAPPING SCREW 5X35	4			Z43395	
011-1		266373-3	TAPPING SCREW 5X35	4	O	Z43395		
012		211236-8	BALL BEARING 6002DDW	1				
013		267164-5	FLAT WASHER 15	1				
014		513992-9	ARMATURE ASSEMBLY 115V	1			D4344	
	D10		INC. 12,13,15-17				D4344	
014-1		515557-3	ARMATURE ASS'Y 115V	1	<	D4344		
	D10		INC. 12,13,15-17			D4344		
015		240060-2	FAN 80	1				
016		681630-2	INSULATION WASHER	1				
017		210075-3	BALL BEARING 6200DDW	1				
018		457964-3	BAFFLE PLATE	1				
019		521867-8	FIELD ASSEMBLY 115V	1			D4344	
	C10	654197-3	RING TERMINAL	2			D4344	
	C20	654502-4	CONNECTOR P-2	2			D4344	
019-1		521917-9	FIELD ASS'Y 115V	1	<	D4344		
	C10	654197-3	RING TERMINAL	2		D4344		
	C20	654502-4	CONNECTOR P-2	2		D4344		
020		266046-8	TAPPING SCREW 5X50	2				
021		140A48-7	MOTOR HOUSING COMPLETE	1				
	C10	816B52-1	CAUTION LABEL	1				
022		194992-4	CARBON BRUSH SET CB-204	1				
023		643700-5	BRUSH HOLDER CAP 7-18	2				
024		183H28-2	REAR COVER SET	1			C5053	
	D10		INC. 36				C5053	
024-1		183L00-8	REAR COVER SET	1	<	C5053	Z43395	
	D10		INC. 36			C5053	Z43395	
024-2		183P08-6	REAR COVER SET	1	O	Z43395		
	D10		INC. 36			Z43395		
025		256041-6	PIN 6	1				
026		144822-9	DUST COVER CAP COMPLETE	1			C5053	
027		421552-2	DUST COVER	1			C5053	
027-1		140F25-9	DUST COVER COMPLETE	1	<	C5053	Z43395	
027-2		422603-4	DUST COVER	1	O	Z43395		
028		651575-8	SWITCH DRH-03-DAK32-16	1				
029		654532-5	TERMINAL BLOCK 1P	1				
030		654531-7	TERMINAL BLOCK 2P	1				
031		632L02-6	CURRENT FUSE UNIT	1				
	C10	652076-9	CURRENT FUSE	1				
032		687053-2	STRAIN RELIEF	1			Z43395	
032-1		687140-7	STRAIN RELIEF	1	O	Z43395		
033		265995-6	TAPPING SCREW 4X18	2				
034		682505-8	CORD GUARD 10-90	1			C5053	
034-1		140F26-7	CORD GUARD 10 COMPLETE	1	<	C5053	C6675	
	C10	422353-1	SPONGE SHEET CG	1		C5053	C6675	
034-2		140F27-5	CORD GUARD 12 COMPLETE	1	<	C6675	Z43395	
	C10	422353-1	SPONGE SHEET CG	1		C6675	Z43395	
034-3		682506-6	CORD GUARD 12-90	1	O	Z43395	DF240	
034-4		682505-8	CORD GUARD 10-90	1	S	DF240		
035		699108-1	POWER SUPPLY CORD UNIT	1			DF240	
035-1		699207-9	POWER SUPPLY COED UNIT	1	S	DF240		
	C10	652125-2	RESIDUAL CURRENT DEVICE	1		DF240		
036		183H28-2	REAR COVER SET	1			C5053	
	D10		INC. 24				C5053	
036-1		183L00-8	REAR COVER SET	1	<	C5053	Z43395	

Interchange
O : Yes
X : No
< : the new part can be substituted for the current.
> : the current part can be substituted for the new.
S : Interchangeable as a set.

