



MX

MEXICO

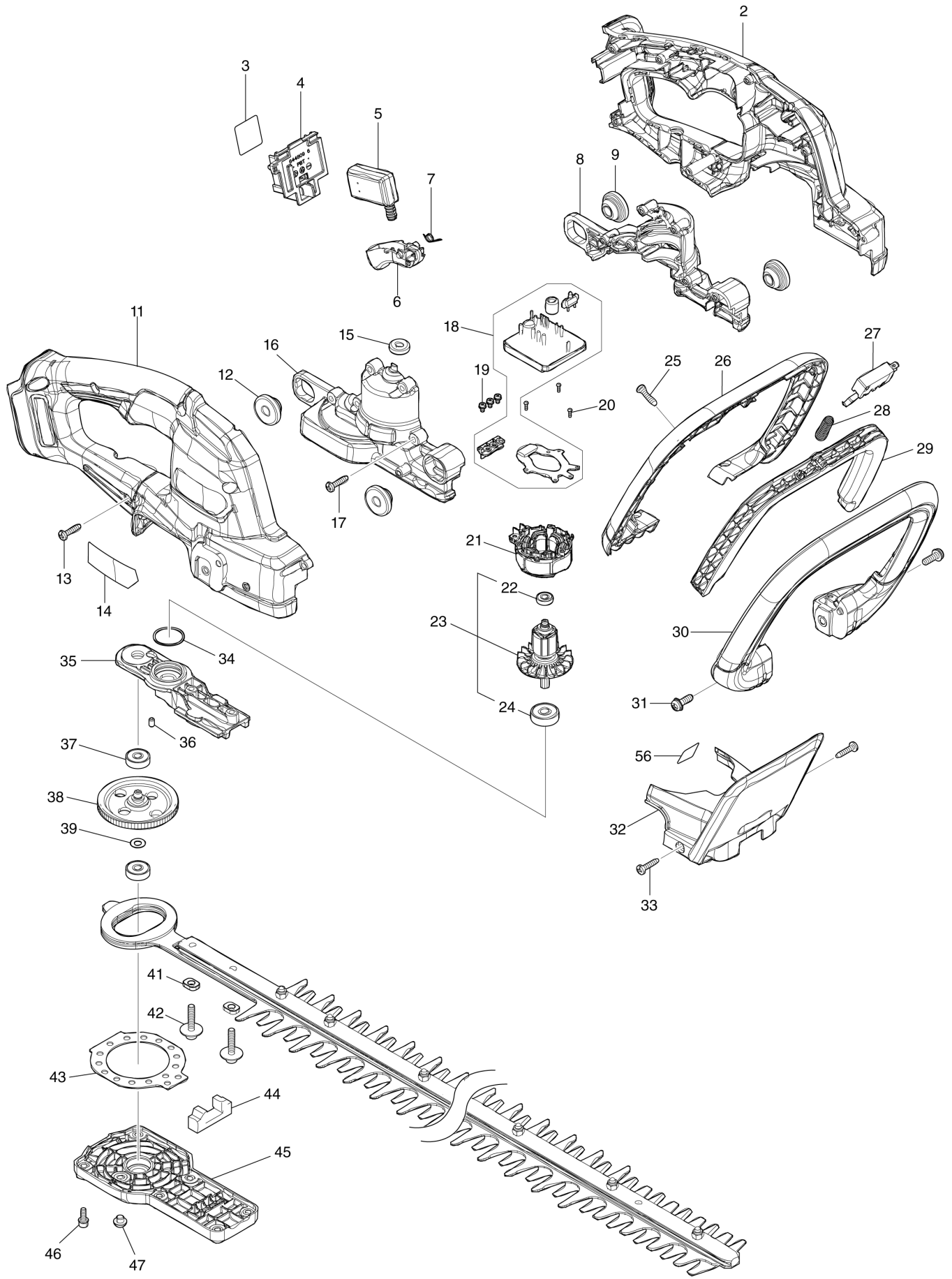
Diagram / Parts List

DUH606

500MM CORDLESS HEDGE TRIMMER

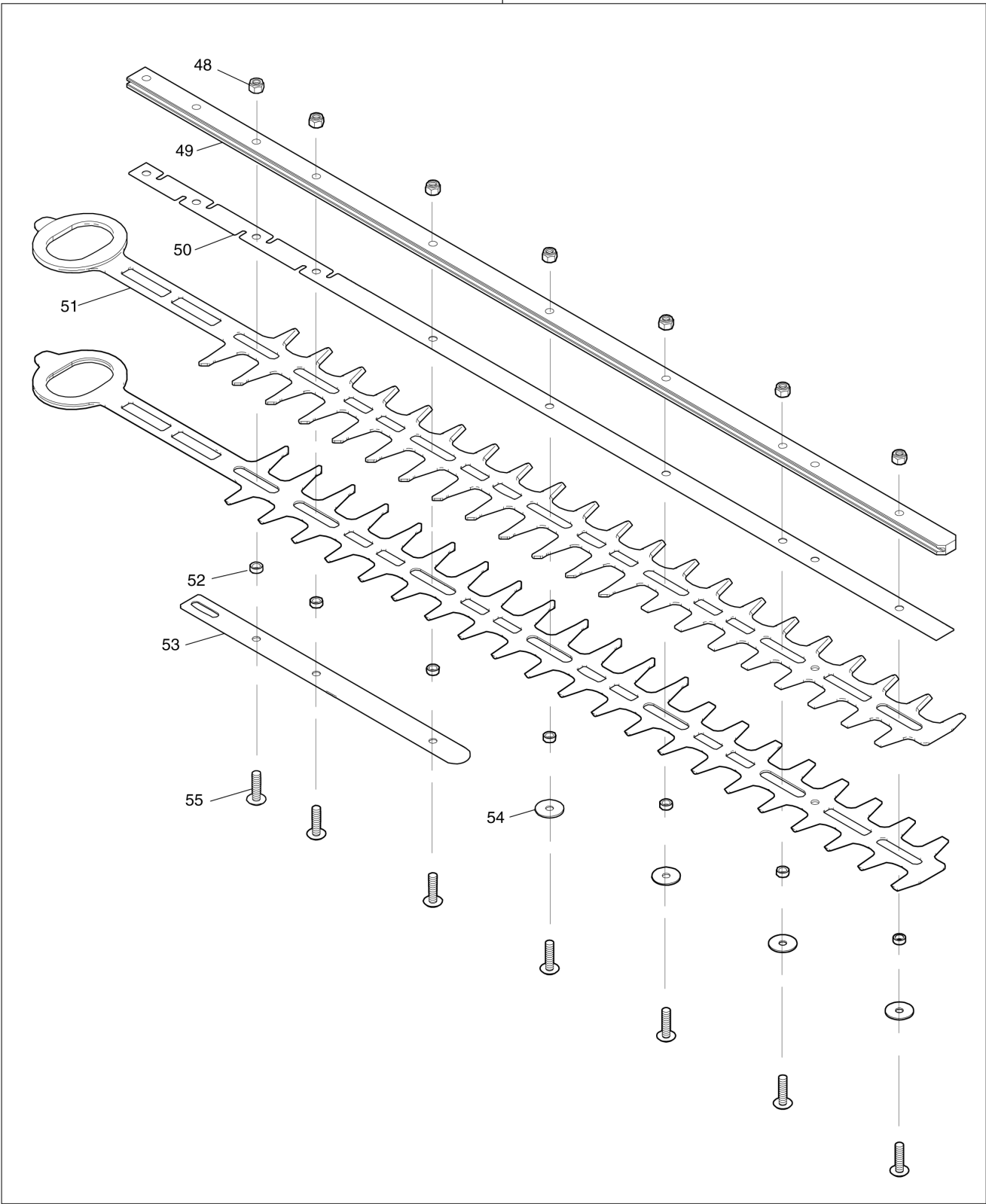


(MX) DUH606 / 500MM CORDLESS HEDGE TRIMMER



(MX) DUH606 / 500MM CORDLESS HEDGE TRIMMER

40



MX

MEXICO

DUH606 / 500MM CORDLESS HEDGE TRIMMER

Item	Sub	Parts No.	Parts Description	Qty	I/C	E/C No.	Close No.	Remark
002		183V39-1	HANDLE SET	1				
	C10	263005-3	RUBBER PIN 6	2				
	D10		INC. 11					
003		8580P9-6	DUH606 SERIAL NO. LABEL	1				
004		644809-6	TERMINAL	1				
005		650033-1	SWITCH C3XA-3PSPM-1	1				
006		413J41-1	SWITCH LEVER RE	1				
007		232770-5	TORSION SPRING 6	1				
008		183V95-1	MOTOR HOUSING SET	1				
	D10		INC. 16					
009		424394-3	RUBBER RING 8	2				
011		183V39-1	HANDLE SET	1				
	C10	263005-3	RUBBER PIN 6	2				
	D10		INC. 2					
012		424394-3	RUBBER RING 8	2				
013		266326-2	TAPPING SCREW 4X18	7				
014		8580P3-8	DUH606 NAME PLATE	1				
015		424195-9	RUBBER RING 6	1				
016		183V95-1	MOTOR HOUSING SET	1				
	D10		INC. 8					
017		266326-2	TAPPING SCREW 4X18	6				
018		620J54-7	CONTROLLER	1				
019		652069-6	FLAT HEAD SCREW M3X6	3				
020		266490-9	TAPPING SCREW PT 2X6	3				
021		629B24-5	STATOR	1				
022		211157-4	BALL BEARING 695ZZ	1				
023		519764-0	ROTOR ASSY	1				
	D10		INC. 22,24					
024		210023-2	BALL BEARING 627DDW	1				
025		266326-2	TAPPING SCREW 4X18	6				
026		413J39-8	FRONT HANDLE COVER E	1				
027		650034-9	SWITCH D2VW-01L3-3HS	1				
028		231325-3	COMPRESSION SPRING 6	1				
029		413J40-3	SWITCH LEVER FE	1				
030		413J38-0	FRONT HANDLE E	1				
031		911223-4	PAN HEAD SCREW M5X16	2				
032		141K47-2	PROTECTOR COMPLETE	1				
	C10	8059E3-6	CAUTION LABEL	1				
033		266326-2	TAPPING SCREW 4X18	2				
034		213961-7	O RING 22	1				
035		312D09-7	BEARING HOUSING E	1				
036		263002-9	RUBBER PIN 4	1				
037		211016-2	BALL BEARING 626LLB	2				
038		141K44-8	GEAR COMPLETE	1				
039		253715-0	FLAT WASHER 6	1				
040		1910H9-0	SHEAR BLADE 600E SET	1				
	C10	199450-5	GREASE VESSEL SET	1				
	C20	313436-7	SPACER	2				
	D10		INC. 48-55					
041		313436-7	SPACER	2				
042		265A89-3	H.S.H.BOLT M5X25 WITH WR	2				
043		347A10-5	PLATE	1				
044		422904-0	DUST GUARD	1				
045		413J26-7	UNDER COVER	1				
046		922118-6	HEX. SOCKET HEAD BOLT M4X12	6				
047		266559-9	H.S.BUTTON HEAD BOLT M6X4	1				
048		264013-7	HEX. LOCK NUT M5-8	7				
049		327982-4	GUIDE BAR 600E	1				
050		347987-8	PLATE 600E	1				
051		725300-4	SHEAR BLADE 600E	2				
052		257876-8	RING 5	7				
053		347990-9	LOWER PLATE	1				
054		253571-8	FLAT WASHER 5	4				
055		265A40-3	+TRUSS HEAD SCREW M5X20	7				
A01		413L92-6	BLADE COVER 600	1				

A:DUH606Z(N)
B:DUH606RT(L)
C:DUH606RF(L)

Interchange

O : Yes

X : No

< : the new part can be substituted for the current.

> : the current part can be substituted for the new.

S : Interchangeable as a set.

