



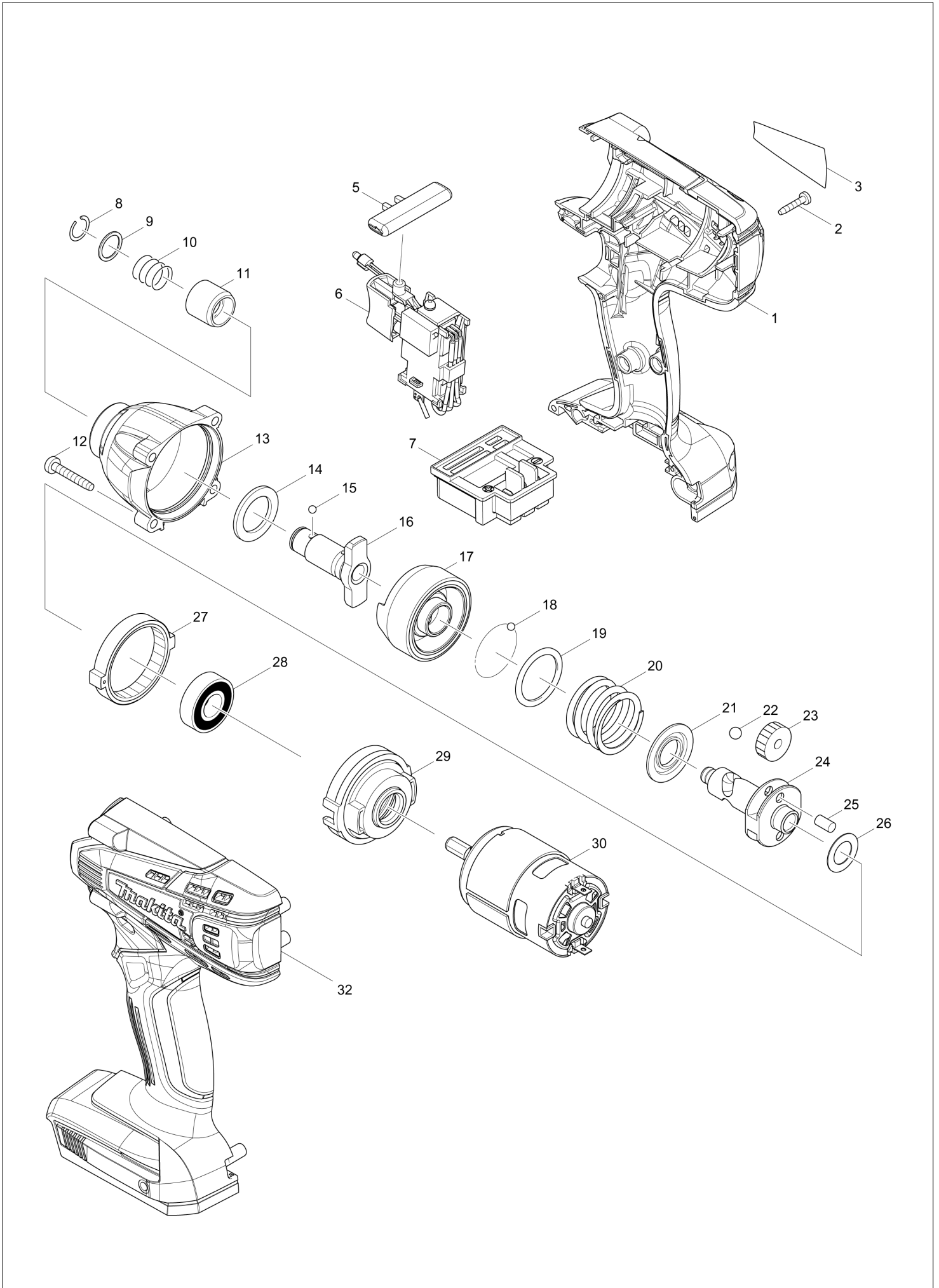
MX	MEXICO
----	--------

Diagram / Parts List

DT02

CORDLESS IMPACT DRIVER

(MX) DT02 / CORDLESS IMPACT DRIVER



MX	MEXICO
-----------	---------------

DT02 / CORDLESS IMPACT DRIVER

Item	Sub	Parts No.	Parts Description	Qty	I/C	E/C No.	Close No.	Remark
001		187420-6	HOUSING SET	1				
	C10	252126-6	HEX. LOCK NUT M4-7	2				
	D10		INC. 32					
002		266429-2	TAPPING SCREW 3X16	8				
003		897584-5	DT02 NAME PLATE	1				
005		453055-8	F/R CHANGE LEVER	1				
006		632A33-9	SWITCH UNIT	1			B5112	
006-1		632J80-4	SWITCH UNIT	1	<	B5112		
	C10	654086-2	RECEPTACLE	2		DE372		
007		643862-9	TERMINAL	1				
008		231951-8	RING SPRING 11	1				
009		267085-1	FLAT WASHER 12	1				
010		233005-7	COMPRESSION SPRING 13	1				
011		324420-7	SLEEVE	1				
012		266374-1	TAPPING SCREW 4X25	4				
013		141585-8	HAMMER CASE COMPLETE	1				
014		261151-6	NYLON WASHER 19	1				
015		216001-0	STEEL BALL 3.5	2			A4806	
015-1		216040-0	STEEL BALL 3.5	2	O	A4806		
016		326188-1	ANVIL M	1				
017		326110-8	HAMMER	1				
018		216001-0	STEEL BALL 3.5	24			A4806	
018-1		216040-0	STEEL BALL 3.5	24	O	A4806		
019		267175-0	FLAT WASHER 24	1				
020		233430-2	COMPRESSION SPRING 24	1				
021		267766-7	CUP WASHER 14	1				
022		216011-7	STEEL BALL 5.6	2			A4806	
022-1		216041-8	STEEL BALL 5.6	2	O	A4806		
023		226336-1	SPUR GEAR 22	2			B3583	
023-1		227362-3	SPUR GEAR 22	2	<	B3583	C5426	
023-2		227362-3	SPUR GEAR 22	2	O	C5426		
024		326109-3	SPINDLE	1				
025		256253-1	PIN 5	2				
026		267212-0	FLAT WASHER 12	1				
027		227279-0	INTERNAL GEAR 51	1				
028		210107-6	BALL BEARING 6001ZZ	1				
029		453056-6	INTERNAL GEAR CASE	1				
030		629969-5	DC MOTOR	1				
032		187420-6	HOUSING SET	1				
	C10	252126-6	HEX. LOCK NUT M4-7	2				
	D10		INC. 1					
A01B		452652-7	BATTERY COVER	1				
A02B		***DC18WA	DC18WA BATTERY CHARGER	1			B3946	
A02-1B		***DC18WA	DC18WA BATTERY CHARGER	1	O	B3946		
A03B		195453-7	BATTERY BL1811G SET	2			99806	
A03-1B		196365-7	BATTERY BL1813G SET	2	O	99806	A5808	
A03-2B		196365-7	BATTERY BL1813G SET	2	O	A5808	B5634	
A03-3B		198187-1	BATTERY BL1815G SET	2	<	B5634		
A05B		800F38-9	DT02 PLASTIC CASE LABEL	2				
A06B		824981-2	PLASTIC CARRYING CASE	1				
	C10	162315-4	LATCH	2				
	C20	452137-3	HANDLE	1				
	C30	452143-8	SHAFT	2				
F04-3		198187-1	BATTERY BL1815G SET	1	<	B5634		
F07		195779-7	HOOK SET	1				

A:DT02Z(N)
B:DT02(L)

Interchange
O : Yes
X : No
< : the new part can be substituted for the current.
> : the current part can be substituted for the new.
S : Interchangeable as a set.