



MX

MEXICO

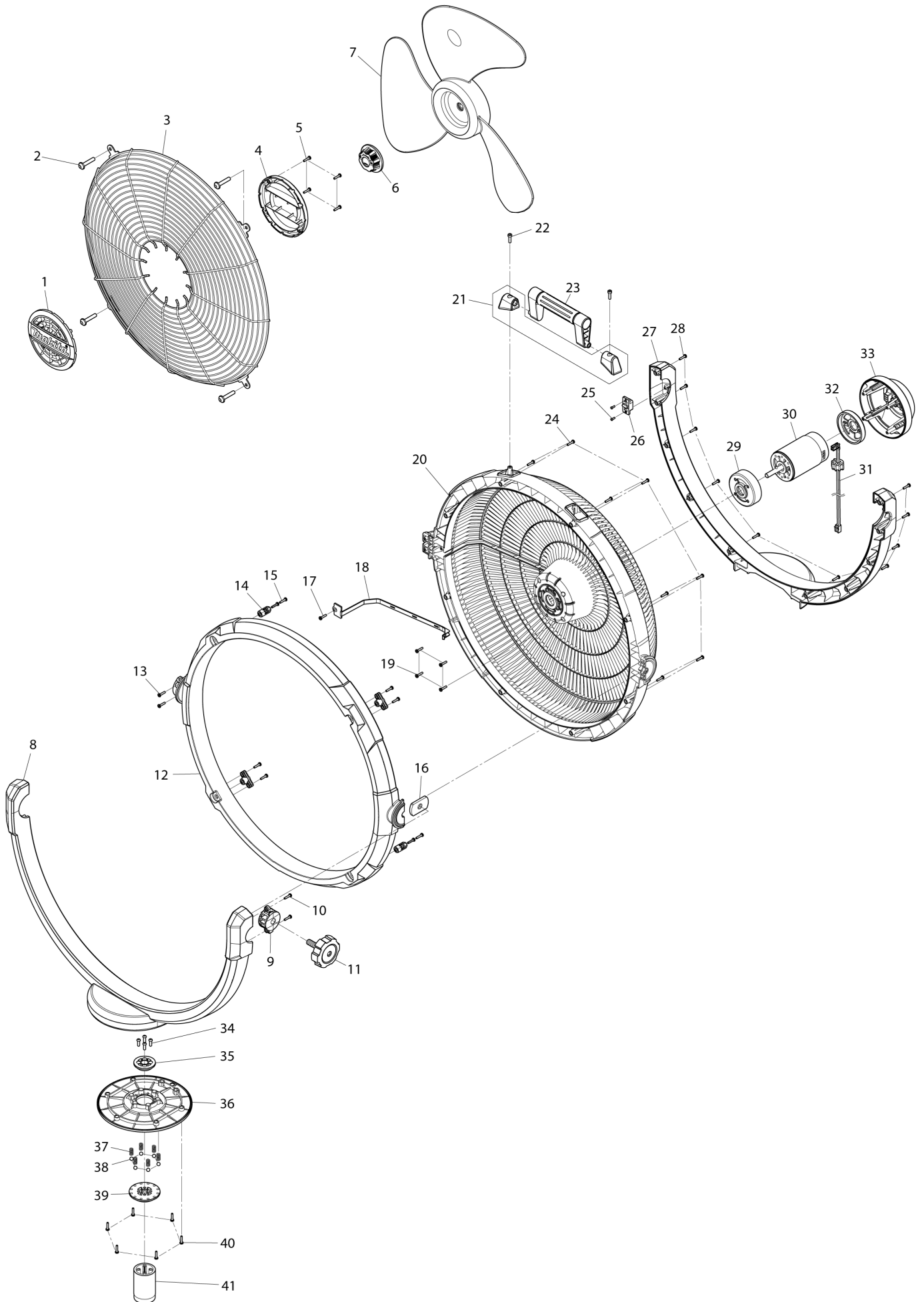
Diagram / Parts List

CF003G

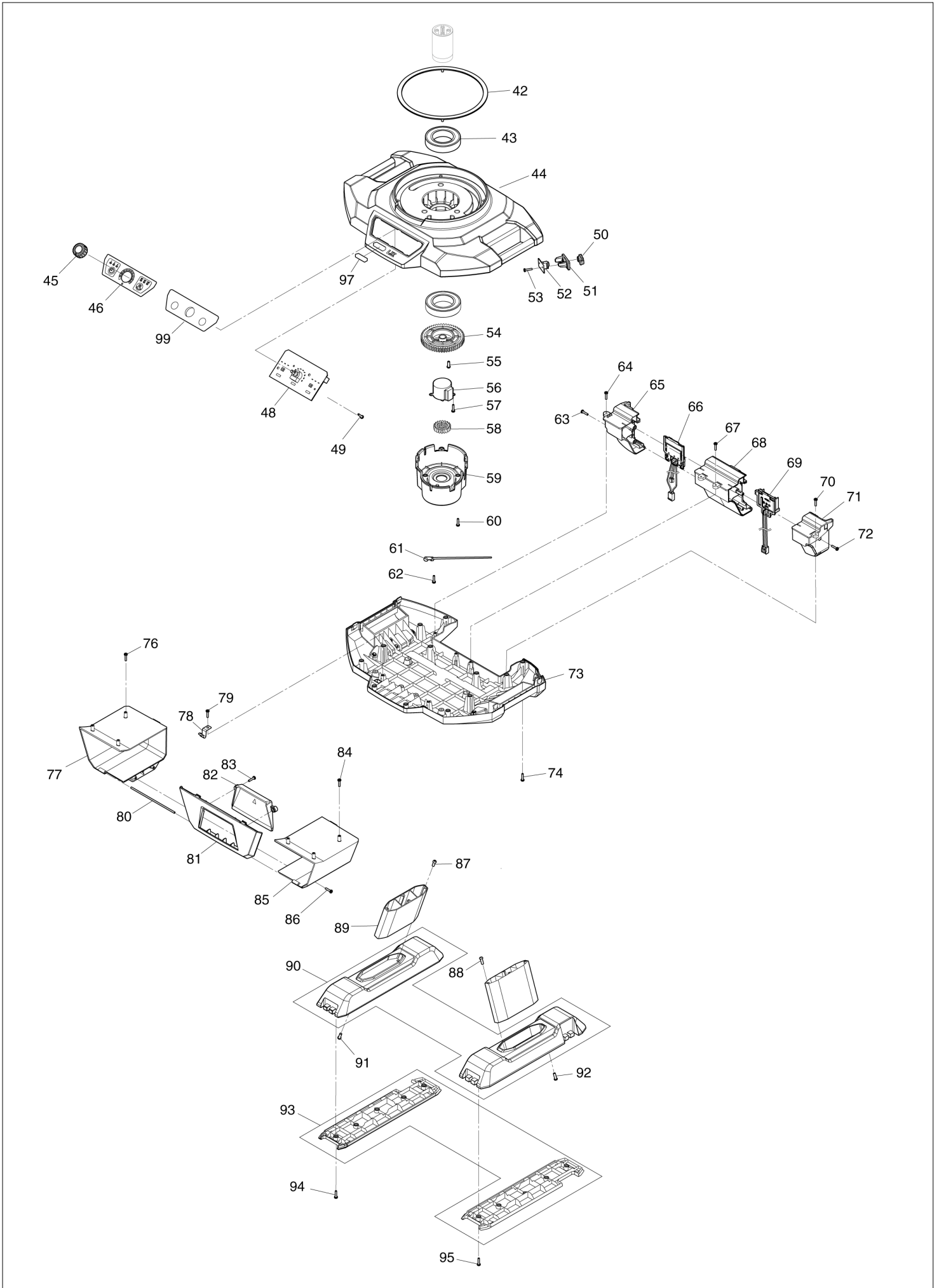
CORDLESS FAN



(MX) CF003G / CORDLESS FAN



(MX) CF003G / CORDLESS FAN



MX	MEXICO
-----------	---------------

CF003G / CORDLESS FAN

Item	Sub	Parts No.	Parts Description	Qty	I/C	E/C No.	Close No.	Remark
001		TE00000704	CENTER CAP FRONT	1				
002		TE00000706	PAN HEAD SCREW M5X20	4				
003		TE00000707	FRONT GUARD	1				
004		TE00000708	CENTER CAP REAR	1				
005		TE00000028	TAPPING SCREW 3X14	4				
006		TE00000709	BLADE FIXING TUB NUT M8 LH	1				
007		TE00000710	FAN BLADE 45	1				
008		TE00000711	FRONT SWINGING FLAME	1				
009		TE00000712	ANGLE ADJUSTER RING	1				
010		TE00000028	TAPPING SCREW 3X14	2				
011		TE00000713	TUB SCREW M10X31	1				
012		TE00000714	FRONT GUARD FIXING RING	1				
013		TE00000028	TAPPING SCREW 3X14	2				
014		TE00000715	FRONT GUARD FIXING NUT M5	4				
015		TE00000028	TAPPING SCREW 3X14	8				
016		TE00000716	RECTANGLE NUT M10	1				
017		TE00000028	TAPPING SCREW 3X14	1				
018		TE00000717	WIRING COVER FOR REAR GUARD	1				
019		TE00000028	TAPPING SCREW 3X14	4				
020		TE00000718	REAR GUARD	1				
021		TE00000719	HANDLE HOLDER L/R SET	1				
022		TE00000720	HEX SOCKET HEAD TAPPING SCREW	2				
023		TE00000721	HANDLE	1				
024		TE00000028	TAPPING SCREW 3X14	8				
025		TE00000203	SELF-TAPPING SCREW 2.5X8	2				
026		TE00000722	POM SMALL FASTENER 1	1				
027		TE00000723	REAR SWINGING FLAME	1				
028		TE00000028	TAPPING SCREW 3X14	10				
029		TE00000724	FRONT MOTOR MOUNT	1				
030		TE00000725	DC MOTOR ASSY	1				
031		TE00000726	LEAD WIRE ASSY(MOTOR-PCB)	1				
032		TE00000727	REAR MOTOR MOUNT	1				
033		TE00000728	MOTOR HOUSING	1				
034		TE00000729	PAN HEAD SCREW M4X12	4				
035		TE00000733	FIX RING FOR TURN TABLE	1				
036		TE00000731	TURN TABLE	1				
037		TE00000732	COMPRESSION SPRING 6	6				
038		TE00000063	STEEL BALL 6	6				
039		TE00000730	TURN TABLE BASE	1				
040		TE00000028	TAPPING SCREW 3X14	6				
041		TE00000734	SWING SHAFT	1				
042		TE00000735	TURN TABLE RING	1				
043		TE00000736	BALL BEARING 6008ZZ	2				
044		TE00000737	UPPER CONTROLLER HOUSING	1				
045		TE00000738	KNOB FOR SPEED CONTROL	1				
046		TE00000740	LABEL FOR SWITCH PANEL	1				
048		TE00000742	PCB	1				
049		TE00000388	TAPPING SCREW 3X10	4				
050		TE00000743	DC SOCKET COVER	1				
051		TE00000744	DC SOCKET PANEL	1				
052		TE00000745	DC SOCKET	1				
053		TE00000028	TAPPING SCREW 3X14	2				
054		TE00000746	GEAR 54	1				
055		TE00000729	PAN HEAD SCREW M4X12	4				
056		TE00000747	MOTOR ASSY FOR SWINGING	1			Y09271	
056-1		TE00000818	MOTOR ASSY FOR SWINGING	1	O	Y09271		
057		TE00000028	TAPPING SCREW 3X14	2				
058		TE00000748	GEAR 20	1				
059		TE00000749	SWING UNIT HOUSING	1				
060		TE00000028	TAPPING SCREW 3X14	3				
061		TE00000418	CABLE TIE	1				
062		TE00000028	TAPPING SCREW 3X14	1				
063		TE00000028	TAPPING SCREW 3X14	2				
064		TE00000028	TAPPING SCREW 3X14	1				
065		TE00000750	BATTERY HOLDER LEFT	1				

A:

Interchange
O : Yes
X : No
< : the new part can be substituted for the current.
> : the current part can be substituted for the new.
S : Interchangeable as a set.

