



MX

MEXICO

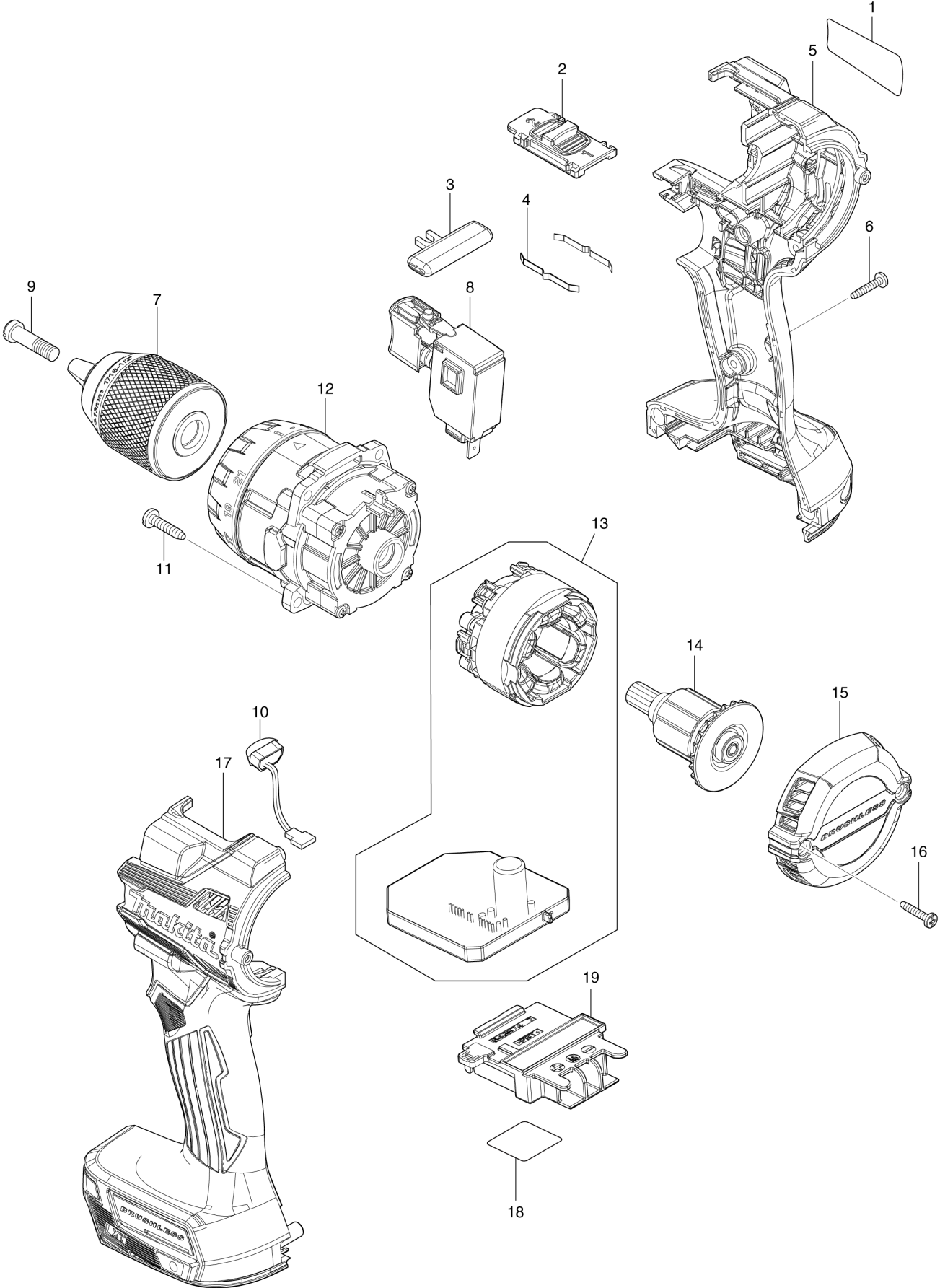
Diagram / Parts List

DDF489

CORDLESS DRIVER DRILL



(MX) DDF489 / CORDLESS DRIVER DRILL



MX	MEXICO
-----------	---------------

DDF489 / CORDLESS DRIVER DRILL

Item	Sub	Parts No.	Parts Description	Qty	I/C	E/C No.	Close No.	Remark
001		8585G6-9	DDF489 NAME PLATE	1				
002		127494-5	SPEED CHANGE LEVER ASSEMBLY	1				
	C10	233438-6	COMPRESSION SPRING 4	2				
003		419041-9	F/R CHANGE LEVER	1				
004		232220-0	LEAF SPRING	2				
005		183X19-9	HOUSING SET	1				
	C10	263005-3	RUBBER PIN 6	2				
	C20	252126-6	HEX. LOCK NUT M4-7	2				
	D10		INC. 17					
006		266130-9	TAPPING SCREW BIND PT 3X16	7				
007		763261-0	KEYLESS DRILL CHUCK 13	1				
008		650710-5	SWITCH C3JW-4B	1				
009		251468-5	- FLAT HEAD SCREW M6X22	1				
010		620549-0	LED CIRCUIT	1				
011		266326-2	TAPPING SCREW 4X18	4				
012		122D66-5	GEAR ASSEMBLY	1				
013		629B98-6	STATOR COMPLETE	1				
014		619797-6	ROTOR	1				
015		413N80-5	REAR COVER	1				
016		266130-9	TAPPING SCREW BIND PT 3X16	2				
017		183X19-9	HOUSING SET	1				
	C10	263005-3	RUBBER PIN 6	2				
	C20	252126-6	HEX. LOCK NUT M4-7	2				
	D10		INC. 5					
018		8585H4-0	DDF489 SERIAL NO. LABEL	1				
019		643874-2	TERMINAL	1				
A01		251314-2	+ SCREW M4X12	1				
A02		346449-3	HOOK	1				
A03		784637-8	+ - BIT 2-45	1				
A04B		821550-0	CONNECTOR PLASTIC CASE (TYPE2)	1				
	C10	453974-8	LATCH	4				
A05B		8064M1-9	DDF489RTJ PLASTIC CASE LABEL	2				
A06B		837916-4	INNER TRAY	1				
A07B		450128-8	BATTERY COVER	1				
A08B		***DC18RC	DC18RC FAST CHARGER	1				
	D10		COMPO-PARTS					
A09B		197283-2	BATTERY BL1850B SET	2				
A10B		8064M0-1	DDF489RTJ INDICATION LABEL	1				
F01		1912A3-5	GRIP ASSEMBLY SET	1				

<p>A:DDF489Z(N) B:DDF489RTJ(L)</p>	<p>Interchange O : Yes X : No < : the new part can be substituted for the current. > : the current part can be substituted for the new. S : Interchangeable as a set.</p>
---	--