



**MX**

**MEXICO**

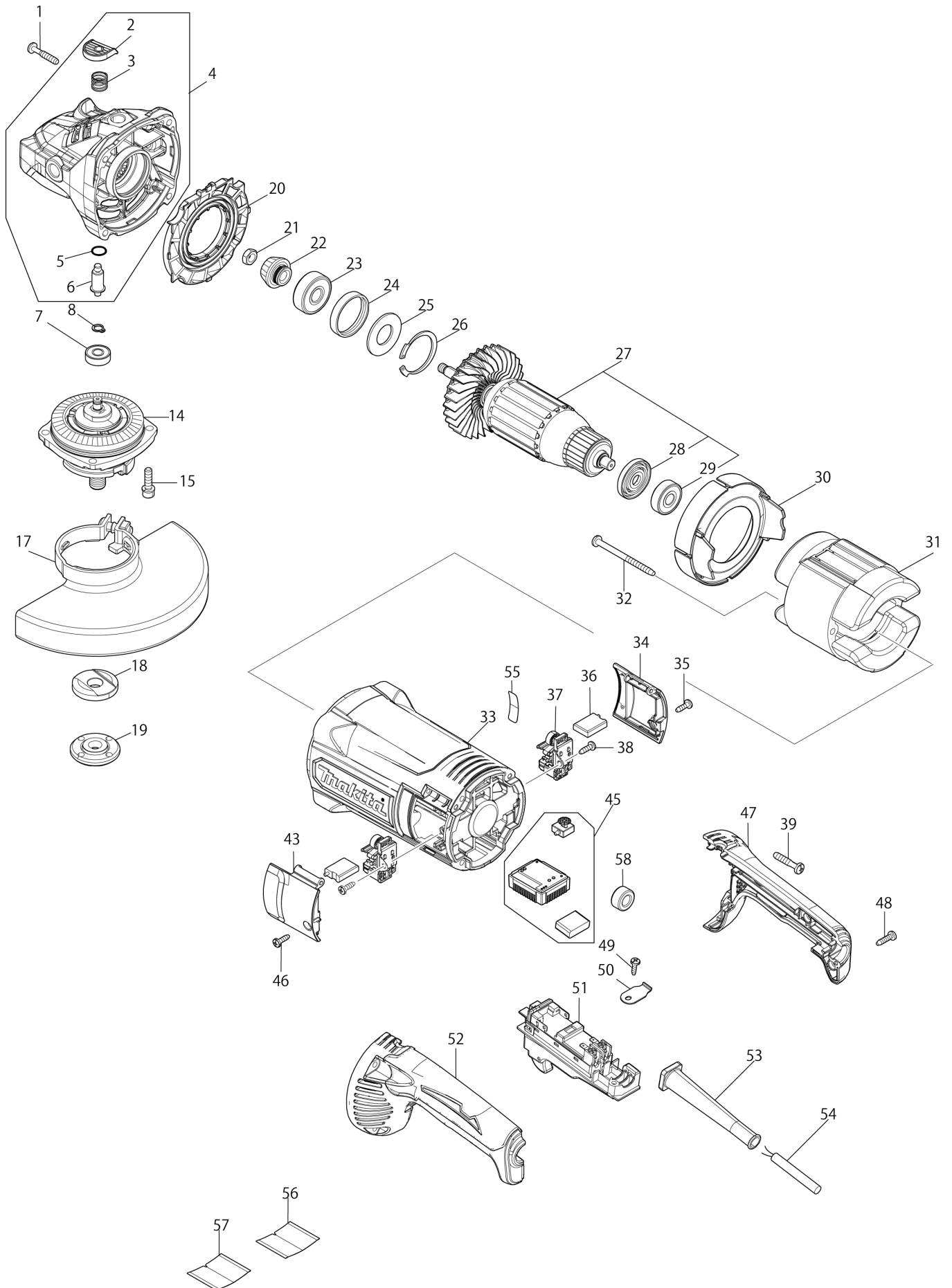
# **Diagram / Parts List**

**GA7081**

**180MM ANGLE GRINDER**



# (MX) GA7081 / 180MM ANGLE GRINDER



MX

MEXICO

## GA7081 / 180MM ANGLE GRINDER

Item	Sub	Parts No.	Parts Description	Qty	I/C	E/C No.	Close No.	Remark
001		251489-7	TAPPING SCREW 5X30	4			DF582	
001-1		922253-0	H.S.H.BOLT M5X30 WITH WR	4	<	DF582		
002		413H41-9	PIN CAP	1				
003		233292-8	COMPRESSION SPRING 12	1				
004		136698-8	GEAR HOUSING ASSY	1				
	C10	262118-7	FELT RING 18	1				
	C20	263002-9	RUBBER PIN 4	1				
	D10		INC. 2,3,5,6					
005		213062-1	O RING 9	1				
006		256491-5	SHOULDER PIN 5	1				
007		211032-4	BALL BEARING 608ZZ	1				
008		961004-6	RETAINING RING (EXT) S-8	1				
014		122C69-3	TORQUE LIMITER ASSEMBLY 180A	1				
	C10	213760-7	O RING 78	1				
	C15	252429-8	NUT M15-23	1		Y08804	DF582	
	C16	252323-4	CIRCULAR NUT M15-23	1	<	DF582		
	C20	232163-6	CUP SPRING 20	2		Y08804		
	C25	267798-4	LOCK WASHER	2		Y08804		
	C30	227998-8	SPIRAL BEVEL GEAR 53	1		Y08804		
	C35	265120-9	PAN HEAD SCREW M5X16	3		Y08804		
	C40	285741-1	BEARING RETAINER 50	1		Y08804		
	C45	267167-9	FLAT WASHER 15	1		Y08804		
	C50	211278-2	BALL BEARING 6203DDW	1		Y08804		
	C55	312D39-8	BEARING BOX	1		Y08804		
	C60	141D63-2	SPINDLE A COMPLETE	1		Y08804		
015		265541-5	HEX. SOCKET HEAD BOLT M6X22	4				
017		122939-8	WHEEL COVER 180AK ASSEMBLY	1				
	C10	213017-6	O RING 6	1				
	C20	265198-2	+PAN HEAD SCREW M8X25	1				
018		224378-9	INNER FLANGE 45	1				
019		224486-6	LOCK NUT 5/8-45	1				
020		456238-9	DIFFUSER	1				
021		252194-9	HEX. NUT M8	1				
022		227954-8	SPIRAL BEVEL GEAR 15	1				
023		211132-0	BALL BEARING 6301DDW	1				
024		262085-6	RUBBER RING 38	1				
025		267299-2	FLAT WASHER 20	1				
026		962211-4	RETAINING RING R-42	1				
027		511A26-8	ARMATURE ASS'Y 115V	1				
	C10	240161-6	FAN 86	1				
	D10		INC. 28,29					
028		681630-2	INSULATION WASHER	1				
029		211087-9	BALL BEARING 6200DDW	1				
030		456239-7	BAFFLE PLATE	1				
031		621942-1	FIELD 115V	1				
032		266038-7	TAPPING SCREW 5X70	2				
033		413599-0	MOTOR HOUSING	1				
034		456246-0	BRUSH HOLDER COVER R	1				
035		266385-6	TAPPING SCREW 4X14	1				
036		191T31-1	CARBON BRUSH SET CB-224	1				
037		643715-2	BRUSH HOLDER	2				
038		266385-6	TAPPING SCREW 4X14	2				
039		251489-7	TAPPING SCREW 5X30	4				
043		456245-2	BRUSH HOLDER COVER L	1				
045		620E17-3	CONTROLLER	1				
046		266385-6	TAPPING SCREW 4X14	1				
047		183C62-2	HANDLE SET	1				
	D10		INC. 52					
048		266326-2	TAPPING SCREW 4X18	2				
049		266385-6	TAPPING SCREW 4X14	1				
050		687169-3	STRAIN RELIEF	1			DB526	
050-1		687678-2	STRAIN RELIEF	1	S	DB526		
051		632F79-5	SWITCH UNIT	1				
052		183C62-2	HANDLE SET	1				
	D10		INC. 47					

A:GA7081(L)

Interchange

O : Yes

X : No

&lt; : the new part can be substituted for the current.

&gt; : the current part can be substituted for the new.

S : Interchangeable as a set.

