



MX

MEXICO

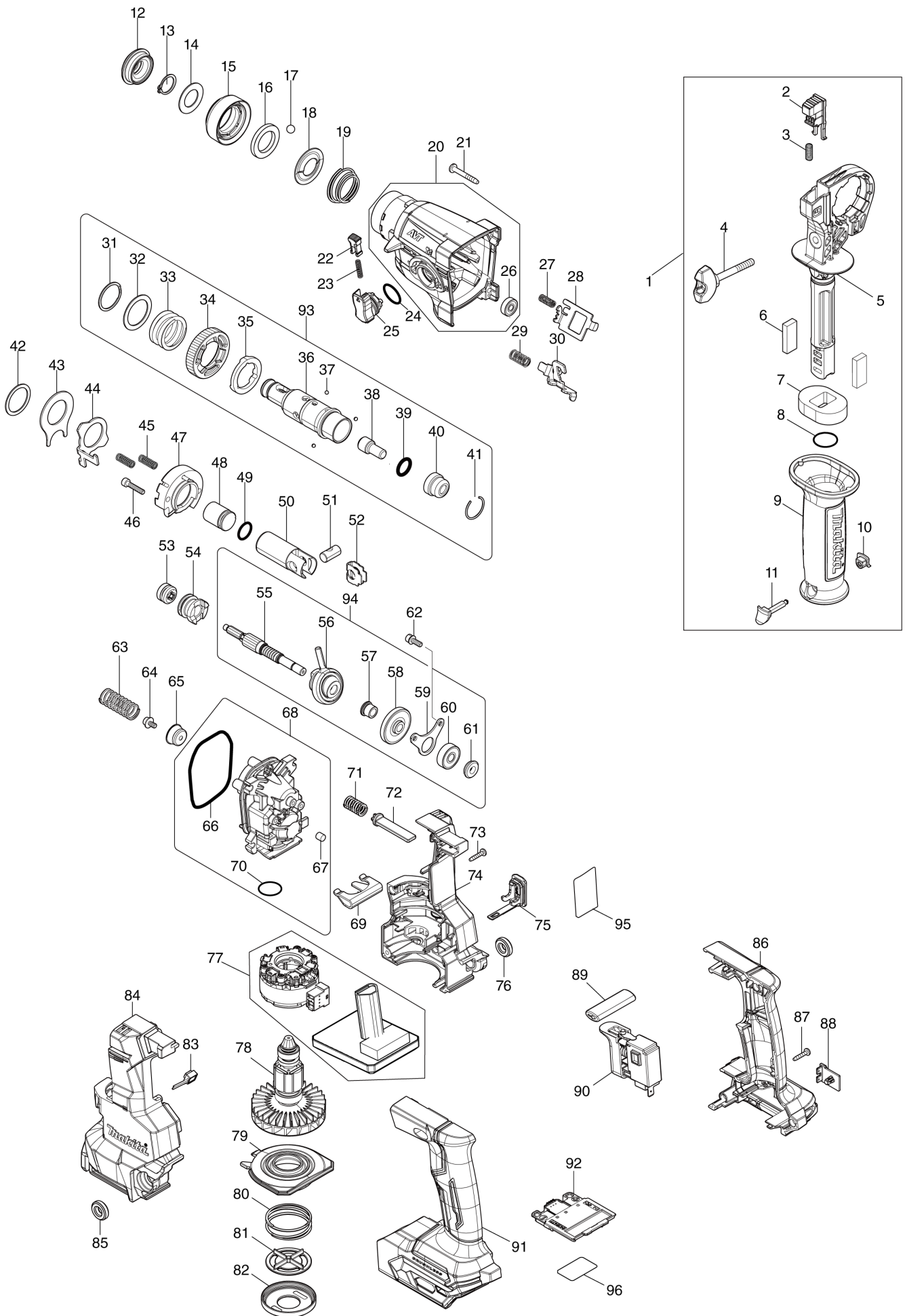
# Diagram / Parts List

HR010G

20MM CRDLS COMBINATION HAMMER



# (MX) HR010G / 20MM CRDLS COMBINATION HAMMER



MX

MEXICO

## HR010G / 20MM CRDLS COMBINATION HAMMER

Item	Sub	Parts No.	Parts Description	Qty	I/C	E/C No.	Close No.	Remark
001		122D63-1	GRIP ASSEMBLY	1				
	D10		INC. 2-11					
002		413N19-8	LOCK BUTTON	1				
003		233360-7	COMPRESSION SPRING 4	1				
004		265625-9	THUMB SCREW M6X50	1				
005		413N18-0	SIDE HANDLE BASE	1				
006		422A20-4	SPONGE SHEET B	2				
007		422A19-9	SPONGE SHEET A	1				
008		213262-3	O RING 18	1				
009		413N20-3	GRIP 36	1				
010		422255-1	CAP	1				
011		162C55-2	FIX PIN	1				
012		286037-3	CAP 34	1				
013		961057-5	RETAINING RING S-17	1				
014		253377-4	FLAT WASHER 17	1				
015		458845-4	CHUCK COVER	1				
016		257416-2	RING 21	1				
017		216022-2	STEEL BALL 7.0	2				
018		346177-0	GUIDE WASHER	1				
019		232347-6	CONICAL COMP. SPRING 21-29	1				
020		136975-8	GEAR HOUSING ASS'Y	1				
	D10		INC. 26					
021		266050-7	TAPPING SCREW 4X30	4				
022		458851-9	LOCK BUTTON	1				
023		234264-6	COMPRESSION SPRING 3	1				
024		213278-8	O RING 17	1				
025		162C16-2	CHANGE LEVER COMPLETE	1				
026		210035-5	BALL BEARING 625DDW	1				
027		232805-2	COMPRESSION SPRING 4	1				
028		347A82-0	LOCK PLATE	1				
029		232795-9	COMPRESSION SPRING 8	1			DS936	
029-1		232795-9	COMPRESSION SPRING 8	1	O	DS936		
030		347A83-8	CHANGE PLATE B	1			DS936	
030-1		347A83-8	CHANGE PLATE B	1	O	DS936		
031		347555-7	SPIRAL RETAINING RING 25	1				
032		267304-5	FLAT WASHER 25	1				
033		232360-4	COMPRESSION SPRING 25	1				
034		226854-9	SPUR GEAR 44	1				
035		327B07-6	DRIVING FLANGE	1				
036		326886-7	TOOL HOLDER	1				
037		216019-1	STEEL BALL 3	3				
038		326887-5	IMPACT BOLT	1				
039		213117-2	O RING 11	1				
040		327C61-6	CUP SLEEVE 9	1				
041		233942-5	RING SPRING 22	1				
042		267175-0	FLAT WASHER 24	1				
043		345681-6	JOINT PLATE	1				
044		347A81-2	CHANGE PLATE A	1				
045		232794-1	COMPRESSION SPRING 6	2				
046		922137-2	HEX. SOCKET HEAD BOLT M4X20	2				
047		141M98-7	INNER SUPPORT COMPLETE	1				
048		327215-7	STRIKER	1				
049		213832-8	O-RING 13	1				
050		327B06-8	PISTON CYLINDER	1				
051		324612-8	PISTON JOINT	1				
052		347A84-6	GUIDE PLATE	1				
053		227A97-2	SPUR GEAR 12	1				
054		327B05-0	CLUTCH CAM	1				
055		327B04-2	CAM SHAFT	1				
056		219032-8	SWASH BEARING 9	1				
057		257893-8	SLEEVE 7	1				
058		227A27-3	SPIRAL BEVEL GEAR 25	1				
059		347A79-9	BEARING RETAINER B	1				
060		210025-8	BALL BEARING 627LLB	1				
061		257897-0	RING 7	1				

A:HR010GZ(N)  
B:HR010GD201(L)

Interchange  
O : Yes  
X : No  
< : the new part can be substituted for the current.  
> : the current part can be substituted for the new.  
S : Interchangeable as a set.

MX

MEXICO

## HR010G / 20MM CRDLS COMBINATION HAMMER

Item	Sub	Parts No.	Parts Description	Qty	I/C	E/C No.	Close No.	Remark
062		266273-7	HEX. SOCKET HEAD BOLT M4X12	2				
063		232793-3	COMPRESSION SPRING 12	1				
064		266831-9	HEX SOCKET HEAD BOLT M4X8	1				
065		347A80-4	SPRING GUIDE	1				
066		213833-6	O-RING 60	1				
067		443138-2	FILTER	1				
068		136976-6	INNER HOUSING ASS'Y	1				
	D10		INC. 66,67,70					
069		347A85-4	BEARING RETAINER	1				
070		213325-5	O RING 19	1				
071		232797-5	COMPRESSION SPRING 8	1				
072		413N16-4	PUSHER	1				
073		266130-9	TAPPING SCREW BIND PT 3X16	5				
074		183Y25-0	HOUSING SET	1				
	D10		INC. 84					
075		140G30-2	CAP COMPLETE	1				
076		422A09-2	CUSHION RING 8	1				
077		629B82-1	STATOR COMPLETE	1				
078		619782-9	ROTOR	1				
	C10	213134-2	O-RING 11	1			DS833	
	C11	213A62-7	O-RING 11	1	O	DS833		
079		413N13-0	AIR DUCT	1				
080		232796-7	COMPRESSION SPRING 37	1				
081		413N14-8	VALVE	1				
082		413N15-6	CAP	1				
083		620K85-2	LED CIRCUIT	1				
084		183Y25-0	HOUSING SET	1				
	D10		INC. 74					
085		422A09-2	CUSHION RING 8	1				
086		183Y92-5	HANDLE SET	1				
	C10	263005-3	RUBBER PIN 6	2				
	C20	8007R2-2	XGT LOGO LABEL	1				
	D10		INC. 91					
087		266130-9	TAPPING SCREW BIND PT 3X16	6				
088		422A08-4	CAP	1				
089		454980-6	F/R CHANGE LEVER	1				
090		651439-6	SWITCH C3JR-4B-2	1				
091		183Y92-5	HANDLE SET	1				
	C10	263005-3	RUBBER PIN 6	2				
	C20	8007R2-2	XGT LOGO LABEL	1				
	D10		INC. 86					
092		632P65-6	TERMINAL UNIT	1				
093		136977-4	TOOL HOLDER ASS'Y	1				
	D10		INC. 31-41					
094		136978-2	CAM SHAFT ASS'Y	1				
	D10		INC. 55-61					
095		8589B0-0	HR010G NAME PLATE	1				
096		8589F2-4	HR010G SERIAL NO. LABEL	1				
A01		413N42-3	DEPTH GAUGE	1				
A02B		821552-6	CONNECTOR PLASTIC CASE (TYPE4)	1				
	C10	453974-8	LATCH	4				
A03B		8356R1-9	INNER TRAY	1				
A04B		191B36-3	BATTERY BL4025 SET	2				
A05B		412393-7	BATTERY COVER	1				
A06B		***DC40RA	DC40RA FAST CHARGER	1				
	D10		COMPO-PARTS					
A07B		***DX16	DX16DUST COLLECTION SYSTEM SET	1				
	C10	422992-7	SEALING CAP	5				
	D10		COMPO-PARTS					
B01		199544-6	HAMMER SERVICE KIT	1		Y09302		
	C10	195127-0	OIL VESSEL SET	1		Y09302		
	D10		INC. 12,13,17,39,41,49			Y09302		
F03		1911K0-5	TOOL HANGER SET	1				
F05		1911P5-0	DUST CASE SET	1				
F06		1911P8-4	DUSTCUP SET	1				

A:HR010GZ(N)  
B:HR010GD201(L)

Interchange  
O : Yes  
X : No  
< : the new part can be substituted for the current.  
> : the current part can be substituted for the new.  
S : Interchangeable as a set.

