



MX

MEXICO

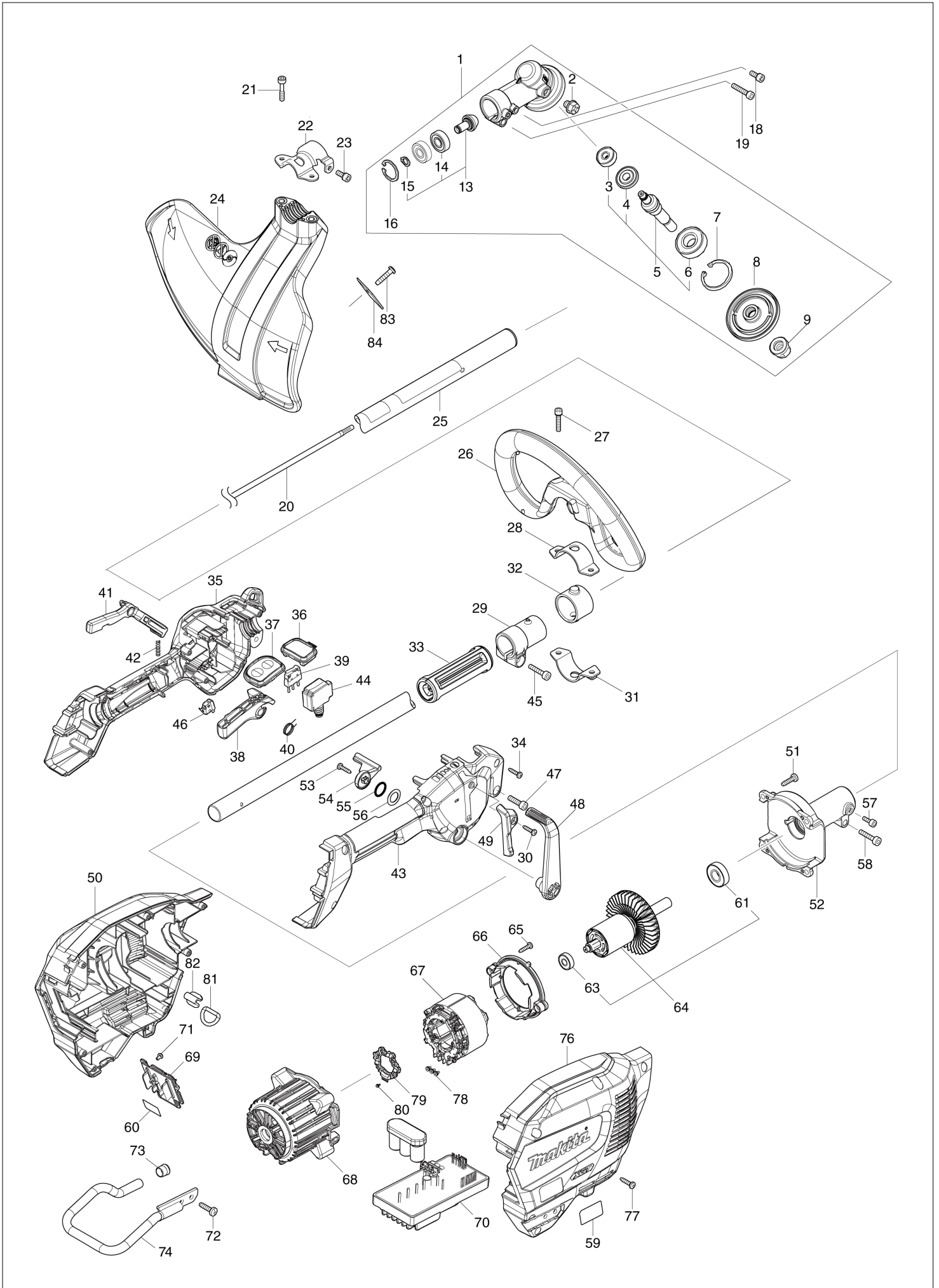
Diagram / Parts List

UR014G

CORDLESS GRASS TRIMMER



(MX) UR014G / CORDLESS GRASS TRIMMER



| | |
|-----------|---------------|
| MX | MEXICO |
|-----------|---------------|

UR014G / CORDLESS GRASS TRIMMER

| Item | Sub | Parts No. | Parts Description | Qty | I/C | E/C No. | Close No. | Remark |
|------|-----|-----------|-------------------------------|-----|-----|---------|-----------|--------|
| 001 | | 122D73-8 | GEAR CASE ASSEMBLY R | 1 | | | | |
| | D10 | | INC. 2,5,7-9,13,16 | | | | | |
| 002 | | 265590-2 | +HEX.BOLT M8X10 WITH R | 1 | | | | |
| 003 | | 210030-5 | BALL BEARING 627ZZ | 1 | | | | |
| 004 | | 227A47-7 | ZEROL BEVEL GEAR 21 | 1 | | | | |
| 005 | | 136860-5 | CUTTER SHAFT US ASSEMBLY | 1 | | | | |
| | D10 | | INC. 3,4,6 | | | | | |
| 006 | | 211228-7 | BALL BEARING 6202DDW | 1 | | | | |
| 007 | | 259069-3 | RETAINING RING (INT) R-35 | 1 | | | | |
| 008 | | 327B76-7 | RECEIVE WASHER R | 1 | | | | |
| 009 | | 252236-9 | HEX. LOCK NUT M10-17 | 1 | | | | |
| 013 | | 136861-3 | SPIRAL BEVEL GEAR ASSEMBLY | 1 | | | | |
| | D10 | | INC. 14,15 | | | | | |
| 014 | | 210157-1 | BALL BEARING 609ZZ | 2 | | | | |
| 015 | | 259071-6 | RETAINING RING (EXT) S-9 | 1 | | | | |
| 016 | | 259072-4 | RETAINING RING (INT)R-24 | 1 | | | | |
| 018 | | 922216-6 | H.S.H.BOLT M5X14 WITH W | 1 | | | | |
| 019 | | 922353-6 | HEX.SOCKET HEAD BOLT M6X30 | 1 | | | | |
| 020 | | 327056-1 | SHAFT | 1 | | | | |
| 021 | | 266280-0 | HEX. SOCKET HEAD BOLT M6X25 | 2 | | | | |
| 022 | | 347B13-5 | PROTECTOR CLAMP 25G | 1 | | | | |
| 023 | | 922216-6 | H.S.H.BOLT M5X14 WITH W | 1 | | | | |
| 024 | | 413N78-2 | PROTECTOR 450 | 1 | | | | |
| 025 | | 141N31-5 | SHAFT PIPE COMPLETE C | 1 | | | | |
| | C10 | 819312-8 | MAKITA LOGO LABEL | 1 | | | | |
| | C20 | 8063Y2-5 | CAUTION LABEL | 1 | | | | |
| 026 | | 457267-5 | LOOP HANDLE | 1 | | | | |
| 027 | | 922234-4 | H.S.H.BOLT M5X20 WITH WG | 2 | | | | |
| 028 | | 347113-9 | UPPER CLAMP 35 | 1 | | | | |
| 029 | | 413P01-9 | PIPE HOLDER 25 | 1 | | | | |
| 030 | | 266326-2 | TAPPING SCREW 4X18 | 1 | | | | |
| 031 | | 347114-7 | LOWER CLAMP 35 | 1 | | | | |
| 032 | | 424942-8 | DAMPER | 1 | | | | |
| 033 | | 413P05-1 | SPACER 25 | 1 | | | | |
| 034 | | 266326-2 | TAPPING SCREW 4X18 | 6 | | | | |
| 035 | | 183X43-2 | GRIP SET | 1 | | | | |
| | C10 | 931202-6 | HEX. NUT M5 | 1 | | | | |
| | D10 | | INC. 43 | | | | | |
| 036 | | 141N51-9 | INDICATION CIRCUIT COMPLETE E | 1 | | | | |
| 037 | | 141N47-0 | SWITCH CIRCUIT COMPLETE G | 1 | | | | |
| | C10 | 8064D9-0 | SWITCH LABEL | 1 | | | | |
| 038 | | 413N93-6 | SWITCH LEVER | 1 | | | | |
| 039 | | 632U35-5 | SWITCH UNIT | 1 | | | | |
| 040 | | 233622-3 | TORSION SPRING 12 | 1 | | | | |
| 041 | | 413P00-1 | LOCK OFF LEVER | 1 | | | | |
| 042 | | 233101-1 | COMPRESSION SPRING 4 | 1 | | | | |
| 043 | | 183X43-2 | GRIP SET | 1 | | | | |
| | C10 | 931202-6 | HEX. NUT M5 | 1 | | | | |
| | D10 | | INC. 35 | | | | | |
| 044 | | 651492-2 | SWITCH C3JR-1A-PAXD3 | 1 | | | | |
| 045 | | 922244-1 | H.S.H.BOLT M5X25 WITH WG | 1 | | | | |
| 046 | | 632U36-3 | SWITCH UNIT | 1 | | | | |
| 047 | | 922233-6 | H.S.H.BOLT M5X20 WITH WR | 1 | | | | |
| 048 | | 413N94-4 | CONTROL LEVER | 1 | | | | |
| 049 | | 413P03-5 | GUARD | 1 | | | | |
| 050 | | 183X40-8 | HOUSING SET | 1 | | | | |
| | C10 | 263005-3 | RUBBER PIN 6 | 2 | | | | |
| | C20 | 8025F3-0 | XGT LOGO LABEL | 1 | | | | |
| | D10 | | INC. 76 | | | | | |
| 051 | | 266420-0 | TAPPING SCREW 5X20 | 4 | | | | |
| 052 | | 136862-1 | PIPE BRACKET ASS'Y | 1 | | | | |
| | C10 | 263002-9 | RUBBER PIN 4 | 1 | | | | |
| 053 | | 266326-2 | TAPPING SCREW 4X18 | 1 | | | | |
| 054 | | 413N95-2 | LINK | 1 | | | | |
| 055 | | 213154-6 | O RING 14 | 1 | | | | |

A:UR014GZ(N)
B:UR014GT201(L)

Interchange
O : Yes
X : No
< : the new part can be substituted for the current.
> : the current part can be substituted for the new.
S : Interchangeable as a set.

| | |
|-----------|---------------|
| MX | MEXICO |
|-----------|---------------|

UR014G / CORDLESS GRASS TRIMMER

| Item | Sub | Parts No. | Parts Description | Qty | I/C | E/C No. | Close No. | Remark |
|-------|-----|-----------|----------------------------|-----|-----|---------|-----------|--------|
| 056 | | 253798-0 | FLAT WASHER 13 | 1 | | | | |
| 057 | | 922211-6 | H.S.H.BOLT M5X12 WITH W | 1 | | | | |
| 058 | | 922353-6 | HEX.SOCKET HEAD BOLT M6X30 | 1 | | | | |
| 059 | | 8585W2-9 | UR014G NAME PLATE | 1 | | | | |
| 060 | | 8585W9-5 | UR014G SERIAL NO. LABEL | 1 | | | | |
| 061 | | 210244-6 | BALL BEARING 6001ZZ | 1 | | | | |
| 063 | | 210062-2 | BALL BEARING 607ZZ | 1 | | | | |
| 064 | | 510551-0 | ROTOR ASS'Y | 1 | | | | |
| | D10 | | INC. 61,63 | | | | | |
| 065 | | 266326-2 | TAPPING SCREW 4X18 | 2 | | | | |
| 066 | | 413N96-0 | BAFFLE PLATE | 1 | | | | |
| 067 | | 629B96-0 | STATOR | 1 | | | | |
| 068 | | 413N72-4 | MOTOR HOUSING | 1 | | | | |
| 069 | | 632T07-4 | TERMINAL UNIT | 1 | | | | |
| 070 | | 620L82-4 | CONTROLLER | 1 | | | | |
| 071 | | 652031-1 | PAN HEAD SCREW M3X6 | 2 | | | | |
| 072 | | 266420-0 | TAPPING SCREW 5X20 | 2 | | | | |
| 073 | | 422230-7 | CAP | 1 | | | | |
| 074 | | 327B36-9 | BATTERY GUARD | 1 | | | | |
| 076 | | 183X40-8 | HOUSING SET | 1 | | | | |
| | C10 | 263005-3 | RUBBER PIN 6 | 2 | | | | |
| | C20 | 8025F3-0 | XGT LOGO LABEL | 1 | | | | |
| | D10 | | INC. 50 | | | | | |
| 077 | | 266326-2 | TAPPING SCREW 4X18 | 7 | | | | |
| 078 | | 652069-6 | FLAT HEAD SCREW M3X6 | 3 | | | | |
| 079 | | 632R96-7 | SENSOR UNIT | 1 | | | | |
| 080 | | 652093-9 | PAN HEAD SCREW M2X5 | 3 | | | | DN309 |
| 080-1 | | 652119-7 | PAN HEAD SCREW M2X6 | 3 | O | DN309 | | |
| 081 | | 327742-4 | D RING 20 | 1 | | | | |
| 082 | | 347783-4 | RING SUPPORT | 1 | | | | |
| 083 | | 266388-0 | TAPPING SCREW 5X16 | 2 | | | | |
| 084 | | 347B15-1 | CUTTER | 1 | | | | |
| A01 | | 127759-5 | BAND ASSEMBLY L | 1 | | | | |
| A02 | | 782210-8 | SOCKET WRENCH 17 | 1 | | | | |
| A03 | | 783202-0 | HEX. WRENCH 4 | 1 | | | | |
| A04 | | 783217-7 | HEX. WRENCH 5 | 1 | | | | |
| A05 | | 1911Y3-7 | TRIMMER HEAD 121-SP SET | 1 | | | | |
| A08 | | 831304-7 | ACCESSORY BAG | 1 | | | | |
| A09B | | 412393-7 | BATTERY COVER | 2 | | | | |
| A10B | | ***DC40RA | DC40RA FAST CHARGER | 1 | | | | |
| | D10 | | COMPO-PARTS | | | | | |
| A11B | | 191L47-8 | BATTERY BL4050F SET | 2 | | | | |
| | | | | | | | | |
| | | | | | | | | |
| | | | | | | | | |
| | | | | | | | | |
| | | | | | | | | |
| | | | | | | | | |
| | | | | | | | | |
| | | | | | | | | |
| | | | | | | | | |
| | | | | | | | | |
| | | | | | | | | |
| | | | | | | | | |
| | | | | | | | | |
| | | | | | | | | |
| | | | | | | | | |
| | | | | | | | | |
| | | | | | | | | |
| | | | | | | | | |
| | | | | | | | | |
| | | | | | | | | |

| | |
|---------------------------------|---|
| A:UR014GZ(N) B:UR014GT201(L) | Interchange O : Yes X : No < : the new part can be substituted for the current. > : the current part can be substituted for the new. S : Interchangeable as a set. |
|---------------------------------|---|