



MX

MEXICO

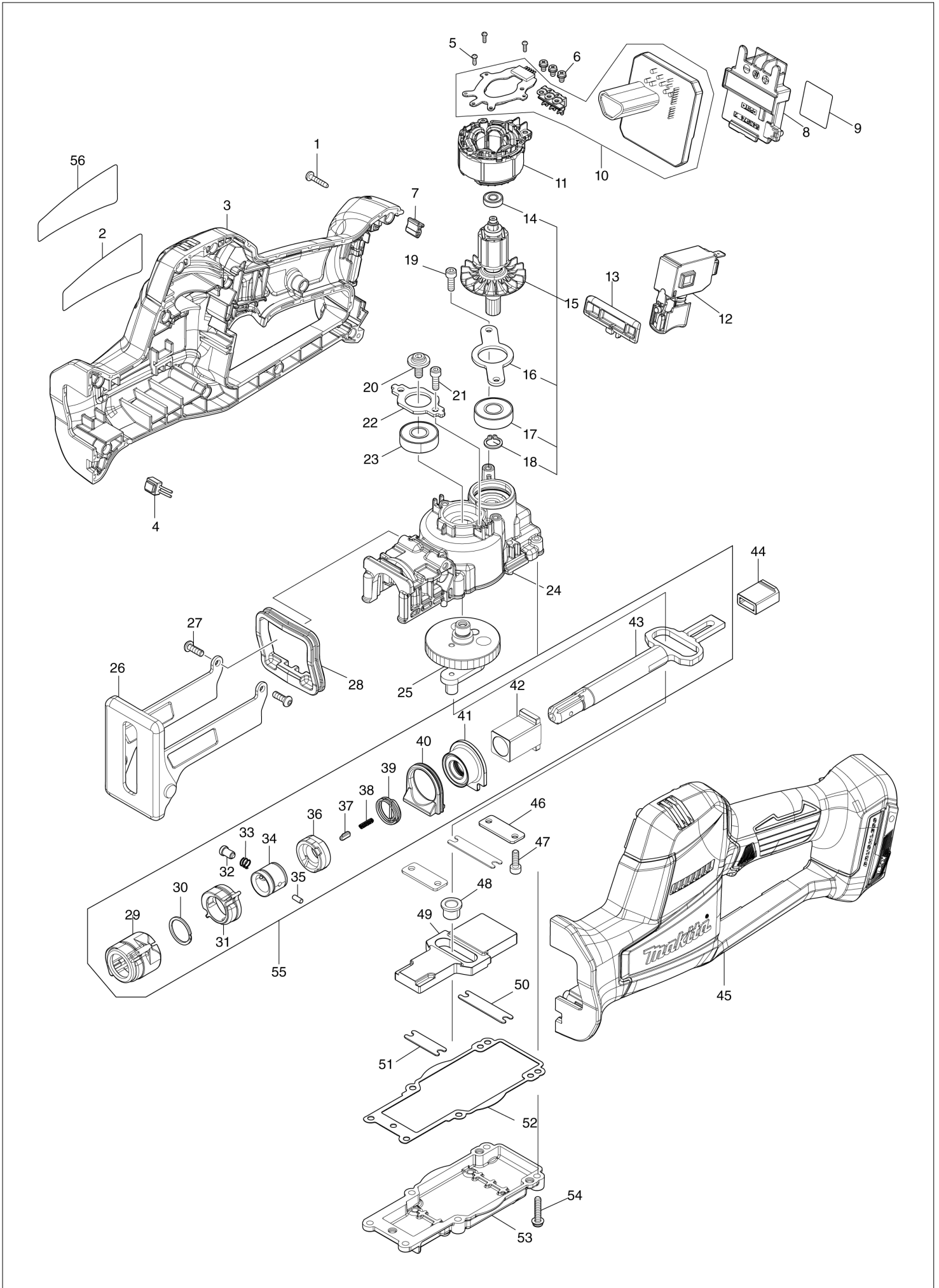
Diagram / Parts List

DJR189

CORDLESS RECIPRO SAW



(MX) DJR189 / CORDLESS RECIPRO SAW



MX

MEXICO

DJR189 / CORDLESS RECIPRO SAW

Item	Sub	Parts No.	Parts Description	Qty	I/C	E/C No.	Close No.	Remark
001		266130-9	TAPPING SCREW BIND PT 3X16	11				
002		858X57-7	DJR189 NAME PLATE	1				
003		183W50-9	HOUSING SET	1				
	C10	263005-3	RUBBER PIN 6	4				
	C20	252126-6	HEX. LOCK NUT M4-7	2				
	D10		INC. 45					
004		620K03-0	LED CIRCUIT	1				
005		266490-9	TAPPING SCREW PT 2X6	3				
006		652069-6	FLAT HEAD SCREW M3X6	3				
007		424517-3	CUSHION	1				
008		643874-2	TERMINAL	1				
009		858X65-8	DJR189 SERIAL NO. LABEL	1				
010		620K04-8	CONTROLLER	1				
011		629B65-1	STATOR	1				
012		650710-5	SWITCH C3JW-4B	1				
013		413L03-1	LOCK OFF BUTTON	1				
014		210039-7	BALL BEARING 695DDW	1				
015		519770-5	ROTOR ASS'Y	1				
	D10		INC. 14,16-18					
016		285054-0	BEARING RETAINER 58	1				
017		210059-1	BALL BEARING 6000DDW	1				
018		961006-2	RETAINING RING S-10	1				
019		265353-6	HEX. SOCKET HEAD BOLT M4X12	2				
020		265C93-4	HEX. S.F.H. BOLT M5X12	1				
021		265353-6	HEX. SOCKET HEAD BOLT M4X12	2				
022		285055-8	BEARING RETAINER 33	1				
023		210059-1	BALL BEARING 6000DDW	1				
024		136824-9	GEAR HOUSING ASS'Y	1				
	C10	263002-9	RUBBER PIN 4	2				
	C20	213434-0	O RING 26	1				
025		141L92-3	GEAR COMPLETE	1				
026		162B95-4	SHOE	1				
027		265C84-5	HEX. SOCKET BUTTON BOLT M4X12	2				
028		422950-3	SEAL RING	1				
029		422949-8	PROTECTOR	1				
030		257430-8	RETAINING RING(EXT)18	1				
031		313448-0	DRIVING SLEEVE	1				
032		256569-4	SHOULDER PIN 5	1				
033		234381-2	COMPRESSION SPRING 6	1				
034		327650-9	GUIDE SLEEVE	1				
035		256A11-1	PIN 3	1				
036		458968-8	CONNECTING SLEEVE	1				
037		310912-2	PUSH PIN	1				
038		232472-3	COMPRESSION SPRING 2	1				
039		233594-2	TORSION SPRING 17	1				
040		422951-1	RUBBER RING	1				
041		141L93-1	SEAL HOLDER COMPLETE	1				
042		214215-5	PLANE BEARING 14	1				
043		162B76-8	SLIDER	1				
044		313450-3	SLIDER GUIDE	1				
045		183W50-9	HOUSING SET	1				
	C10	263005-3	RUBBER PIN 6	4				
	C20	252126-6	HEX. LOCK NUT M4-7	2				
	D10		INC. 3					
046		347A47-2	PLATE A	2				
047		265353-6	HEX. SOCKET HEAD BOLT M4X12	4				
048		327A55-9	COLLARED SLEEVE 8	1				
049		313446-4	COUNTER WEIGHT	1				
050		347A49-8	PLATE R	2				
051		347A48-0	PLATE F	1				
052		422952-9	GASKET	1				
053		312D37-2	GEAR HOUSING COVER	1				
054		911138-5	P.H.SCREW M4X20 WITH WR	6				
055		136867-1	SLIDER ASS'Y	1				
	D10		INC. 29-43					

A:DJR189Z(N)
B:DJR189RTJ(L)

Interchange
O : Yes
X : No
< : the new part can be substituted for the current.
> : the current part can be substituted for the new.
S : Interchangeable as a set.

