



MX	MEXICO
----	--------

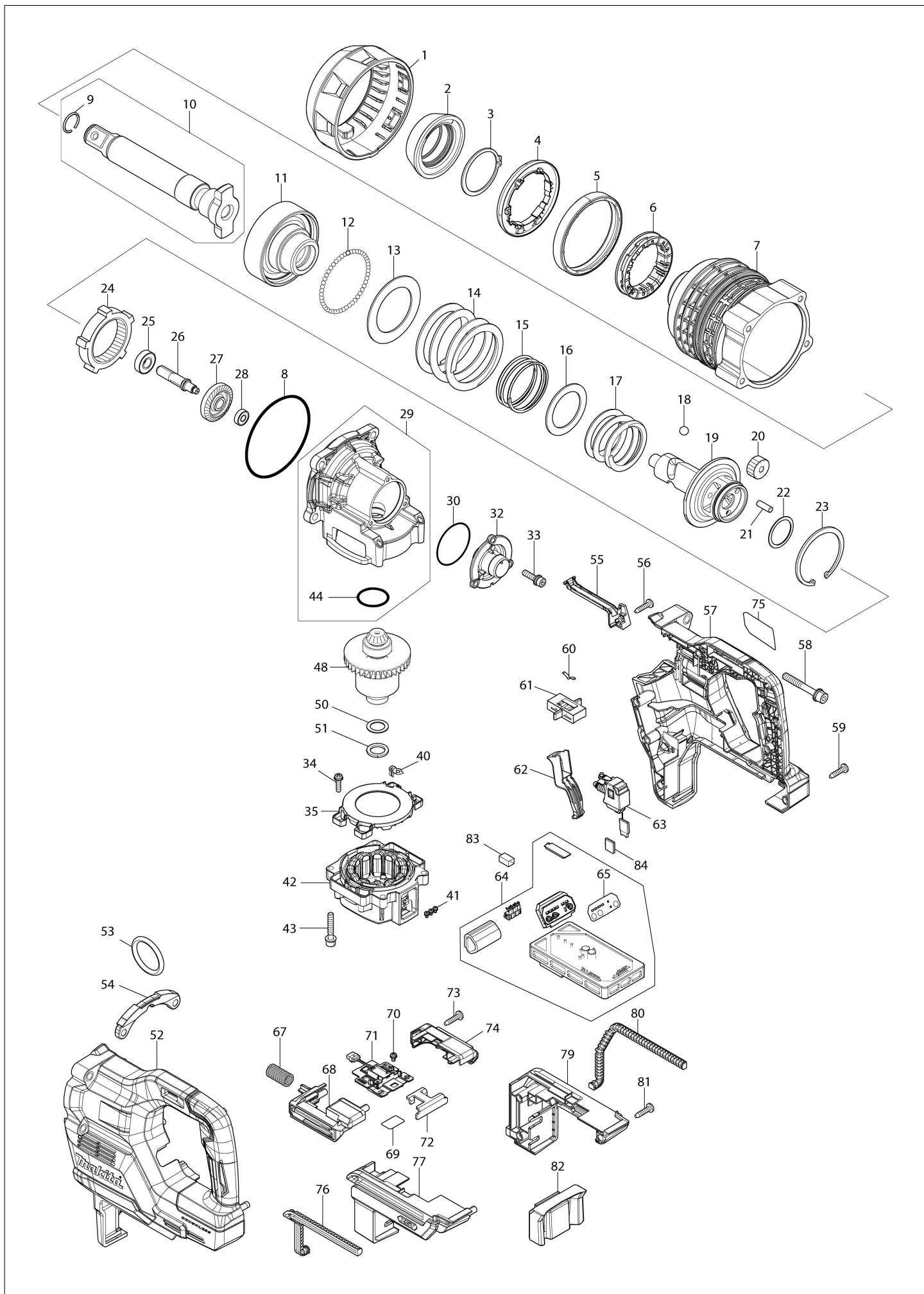
Diagram / Parts List

TW010G

Cordless Impact Wrench



(MX) TW010G / Cordless Impact Wrench



MX	MEXICO
-----------	---------------

TW010G / Cordless Impact Wrench

Item	Sub	Parts No.	Parts Description	Qty	I/C	E/C No.	Close No.	Remark
001		422B76-3	Bumper D	1				
002		422B75-5	Bumper C	1				
003		961254-3	Retaining ring (EXT) S-58	1				
004		620P36-5	LED circuit	1				
005		422B71-3	Rubber vibration isolator A	1				
006		422B72-1	Rubber vibration isolator B	1				
007		141W71-7	Hammer case complete	1			DW500	
007-1		1411R8-8	Hammer case complete	1	<	DW500		
008		213914-6	O-ring 100	1				
009		231921-7	Ring spring 22	1				
010		137142-8	Anvil L assembly	1			E2930	
	D10		INC. 9				E2930	
010-1		137457-3	ANVIL L ASS'Y	1	O	E2930		
	D10		INC. 9			E2930		
011		327D89-0	Hammer	1				
012		216018-3	Steel ball 5.0	49				
013		253609-9	Flat washer 60A	1				
014		232874-3	Compression spring 71	1				
015		232875-1	Compression spring 61	1				
016		253610-4	Flat washer 48	1				
017		232873-5	Compression spring 51	1				
018		216010-9	Steel ball 10.3	2				
019		327D88-2	Spindle	1				
020		227B64-3	Spur gear 24	3				
021		256197-5	Pin 7	3				
022		267039-8	Flat washer 32	1				
023		962352-6	Retaining ring (INT) R-75	1				
024		227B58-8	Internal gear 57	1				
025		211131-2	Ball bearing 6001DDW	1				
026		227B63-5	Spur gear 9	1				
027		227B61-9	Spiral bevel gear 31	1				
028		211021-9	Ball bearing 607LLB	1				
029		137146-0	Internal gear case assembly	1			DX543	
	C10	263002-9	Rubber pin 4	1			DX543	
	D10		INC. 44				DX543	
029-1		137271-7	Internal gear case assembly	1	O	DX543	DY581	
	C10	263002-9	Rubber pin 4	1		DX543	DY581	
	D10		INC. 44			DX543	DY581	
029-2		137327-6	Internal gear case assembly	1	O	DY581	E0213	
	C10	263002-9	Rubber pin 4	1		DY581	E0213	
	D10		INC. 44			DY581	E0213	
029-3		137351-9	Internal gear case assembly	1	O	E0213	E2616	
	C10	263002-9	Rubber pin 4	1		E0213	E2616	
	D10		INC. 44			E0213	E2616	
029-4		137449-2	INTERNAL GEAR CASE ASS'Y	1	O	E2616		
	C10	263002-9	Rubber pin 4	1		E2616		
	D10		INC. 44			E2616		
030		213604-1	O-ring 50	1				
032		137161-4	Bearing cover assembly	1				
	C10	263002-9	Rubber pin 4	1				
033		266903-0	Hex. socket head bolt M5X20 WR	3				
034		911128-8	Pan head screw M4X16 WR	4				
035		4130L1-7	Baffle plate	1				
036		4130L0-9	Motor housing inner	1			DV067	
037		629C72-0	Stator	1			DV067	
038		620P37-3	Controller B	1			DV067	
039		687B69-9	Stopper	1			DV067	
041		652031-1	Pan head screw M3X6	3			DW500	
041-1		652077-7	Flat head screw M3X6	3	O	DW500		
042		312F54-4	Motor housing	1			DV067	
042-1		1410X4-2	Motor housing complete	1	S	DV067	DX419	
042-2		1412A8-5	Motor housing complete	1	<	DX419	E0801	
042-3		1413H0-6	MOTOR HOUSING COMPLETE	1	<	E0801	E2616	
042-4		1414C8-1	MOTOR HOUSING COMPLETE	1	O	E2616		
043		265D24-9	Hex. socket head bolt M5X30 WRM	4			DY238	
B:TW010GT201(L)				Interchange O : Yes X : No < : the new part can be substituted for the current. > : the current part can be substituted for the new. S : Interchangeable as a set.				

MX	MEXICO
-----------	---------------

TW010G / Cordless Impact Wrench

Item	Sub	Parts No.	Parts Description	Qty	I/C	E/C No.	Close No.	Remark
043-1		265E69-3	Hex. socket head bolt M5X30 WRM	4	O	DY238		
044		213460-9	O-ring 35	1				
048		519860-4	Rotor assembly	1			DT526	
048-1		519860-4	Rotor assembly	1	O	DT526		
050		253198-4	Flat washer 18	1				
051		261129-9	Urethane washer 18	1				
052		1830L3-4	Housing set	1			DW500	
	D10		INC. 57				DW500	
052-1		1831F9-6	Housing set	1	<	DW500		
	D10		INC. 57			DW500		
053		282022-4	Ring 40	1				
054		162D36-2	Bracket	1				
055		4130L2-5	Lead cover	1			DX543	
055-1		4133K1-8	Lead cover A	1	O	DX543		
056		266326-2	Binding head tapping screw 4X18	1				
057		1830L3-4	Housing set	1			DW500	
	D10		INC. 52				DW500	
057-1		1831F9-6	Housing set	1	<	DW500		
	D10		INC. 52			DW500		
058		265D71-0	Hex. socket head bolt M8X60 WRM	4				
059		266326-2	Binding head tapping screw 4X18	12				
060		232872-7	Leaf spring	1				
061		141W75-9	F/R change lever complete	1				
062		4130L3-3	Switch lever	1				
063		141W69-4	Switch complete	1			DV006	
063-1		1411Y4-5	Switch complete	1	S	DV006	DX886	
063-2		1413D4-0	SWITCH COMPLETE	1	S	E3278		
064		137160-6	Controller assembly	1			DV006	
	D10		INC. 65				DV006	
064-1		137245-8	Controller assembly	1	S	DV006	DX886	
	D10		INC. 65			DV006	DX886	
064-2		137285-6	Controller unit assembly	1	S	DX886	E3278	
	D10		INC. 65			DX886	E3278	
064-3		137463-8	CONTROLLER ASS'Y	1	S	E3278		
	D10		INC. 65			E3278		
065		801259-8	Switch label	1				
066		266490-9	Pan head tapping screw 2X6	3			DV067	
067		232650-5	Compression spring 13	1				
068		1830L0-0	Battery holder set	1				
	C10	263005-3	Rubber pin 6	2				
	D10		INC. 74					
069		8146J7-4	Serial No. label TW010G	1				
070		652031-1	Pan head screw M3X6	2				
071		632T08-2	Terminal unit	1			DY356	
071-1		632W79-7	TERMINAL UNIT	1	<	DY356		
072		347C62-8	Support plate	1				
073		266326-2	Binding head tapping screw 4X18	2				
074		1830L0-0	Battery holder set	1				
	C10	263005-3	Rubber pin 6	2				
	D10		INC. 68					
075		8146J5-8	Name plate TW010G	1				
076		422B69-0	Cushion rubber L	1				
077		1830L1-8	Battery housing set	1				
	D10		INC. 79					
079		1830L1-8	Battery housing set	1				
	D10		INC. 77					
080		422B70-5	Cushion rubber R	1				
081		266326-2	Binding head tapping screw 4X18	3				
082		422642-4	Cushion rubber	1				
083		685725-3	Sponge	1		DW657		
084		424248-4	Sponge sheet 15-25	1	S	DV006	DX886	
084-1		685725-3	Sponge	1	S	E3278		
A01		122G63-9	Side handle assembly	1				
A02B		821929-5	Plastic case	1				
	C10	162271-8	Latch	2				

B:TW010GT201(L)

Interchange

O: Yes

X: No

<: the new part can be substituted for the current.

>: the current part can be substituted for the new.

S: Interchangeable as a set.

